

<i>RM</i>	<i>RMB</i>	<i>RMBP</i>	<i>RMS</i>	<i>S</i>
<i>S110 - x4</i> <i>S80 - x12</i> <i>W30 - x14</i> <i>W16 - x32</i> <i>P - x32</i> <i>K10 - x20</i> <i>G - x3</i> <i>INBUS - x1</i>	<i>S110 - x8</i> <i>S80 - x16</i> <i>S50 - x1</i> <i>W30 - x14</i> <i>W16 - x32</i> <i>P - x32</i> <i>K10 - x28</i> <i>G - x3</i> <i>INBUS - x1</i>	<i>S110 - x8</i> <i>S80 - x16</i> <i>S50 - x1</i> <i>W30 - x14</i> <i>W16 - x32</i> <i>P - x32</i> <i>K10 - x28</i> <i>K8 - X68</i> <i>G - x3</i> <i>INBUS - x1</i>	<i>S110 - x4</i> <i>S80 - x12</i> <i>W30 - x14</i> <i>W16 - x32</i> <i>P - x32</i> <i>K10 - x20</i> <i>G - x3</i> <i>INBUS - x1</i>	<i>S50 - x10</i> <i>W16 - x16</i> <i>G - x1</i>

<i>DMS</i>	<i>DMSB</i>	<i>DMSBP</i>	<i>DMSS</i>	<i>DM</i>
<i>S110 - x4</i> <i>S80 - x12</i> <i>W30 - x14</i> <i>W16 - x32</i> <i>P - x32</i> <i>K10 - x24</i> <i>G - x3</i> <i>INBUS - x1</i>	<i>S110 - x8</i> <i>S80 - x16</i> <i>S50 - x1</i> <i>W30 - x14</i> <i>W16 - x32</i> <i>P - x32</i> <i>K1 - x32</i> <i>G - x3</i> <i>INBUS - x1</i>	<i>S110 - x8</i> <i>S80 - x16</i> <i>S50 - x1</i> <i>W30 - x14</i> <i>W16 - x32</i> <i>P - x32</i> <i>K1 - x36</i> <i>K2 - X68</i> <i>G - x3</i> <i>INBUS - x1</i>	<i>S110 - x4</i> <i>S80 - x12</i> <i>W30 - x14</i> <i>W16 - x32</i> <i>P - x32</i> <i>K10 - x24</i> <i>G - x3</i> <i>INBUS - x1</i>	<i>S110 - x4</i> <i>S80 - x12</i> <i>K10 - x24</i> <i>G - x3</i> <i>INBUS - x1</i>

DMS

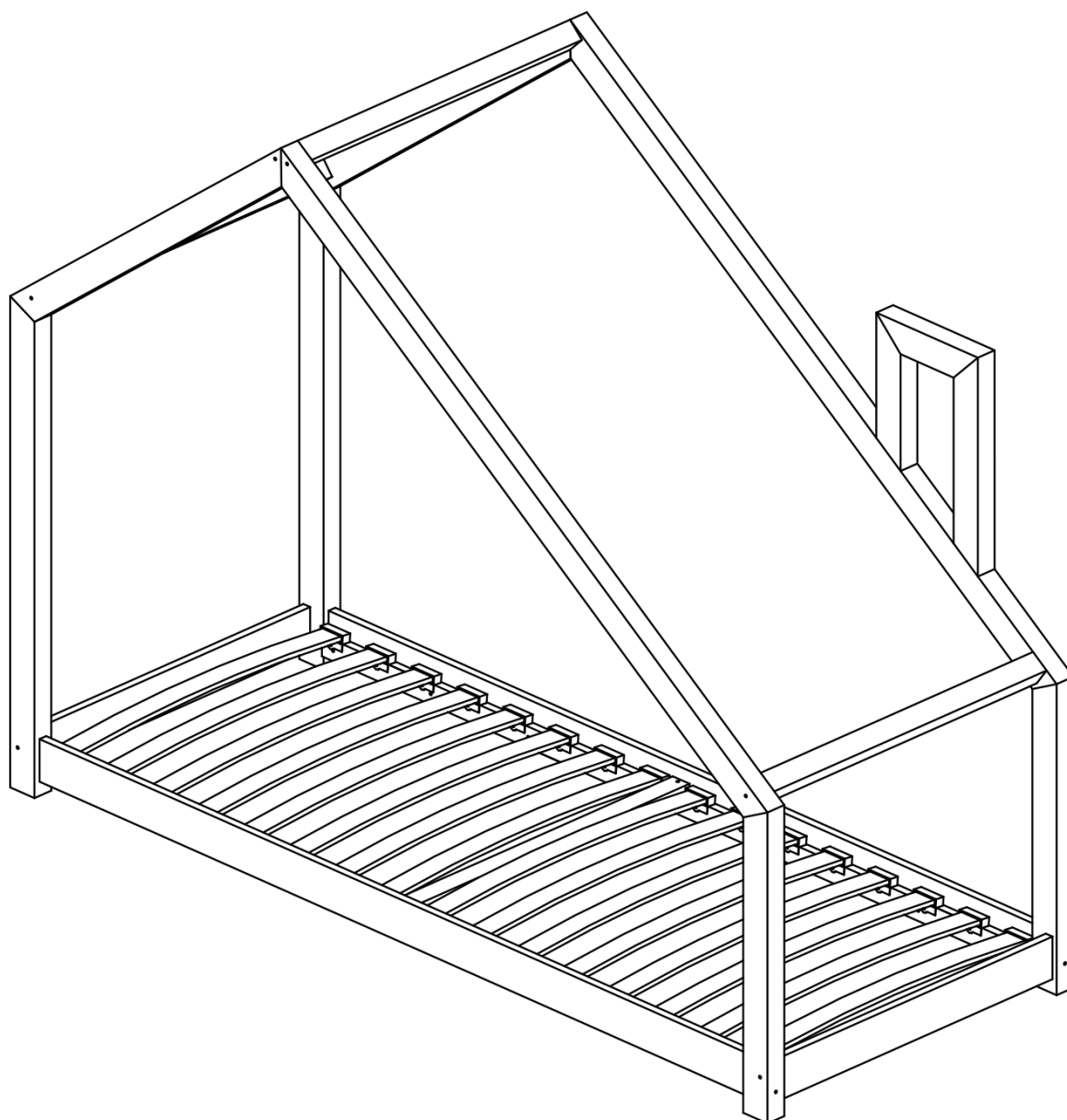
60x120 70x140 70x160

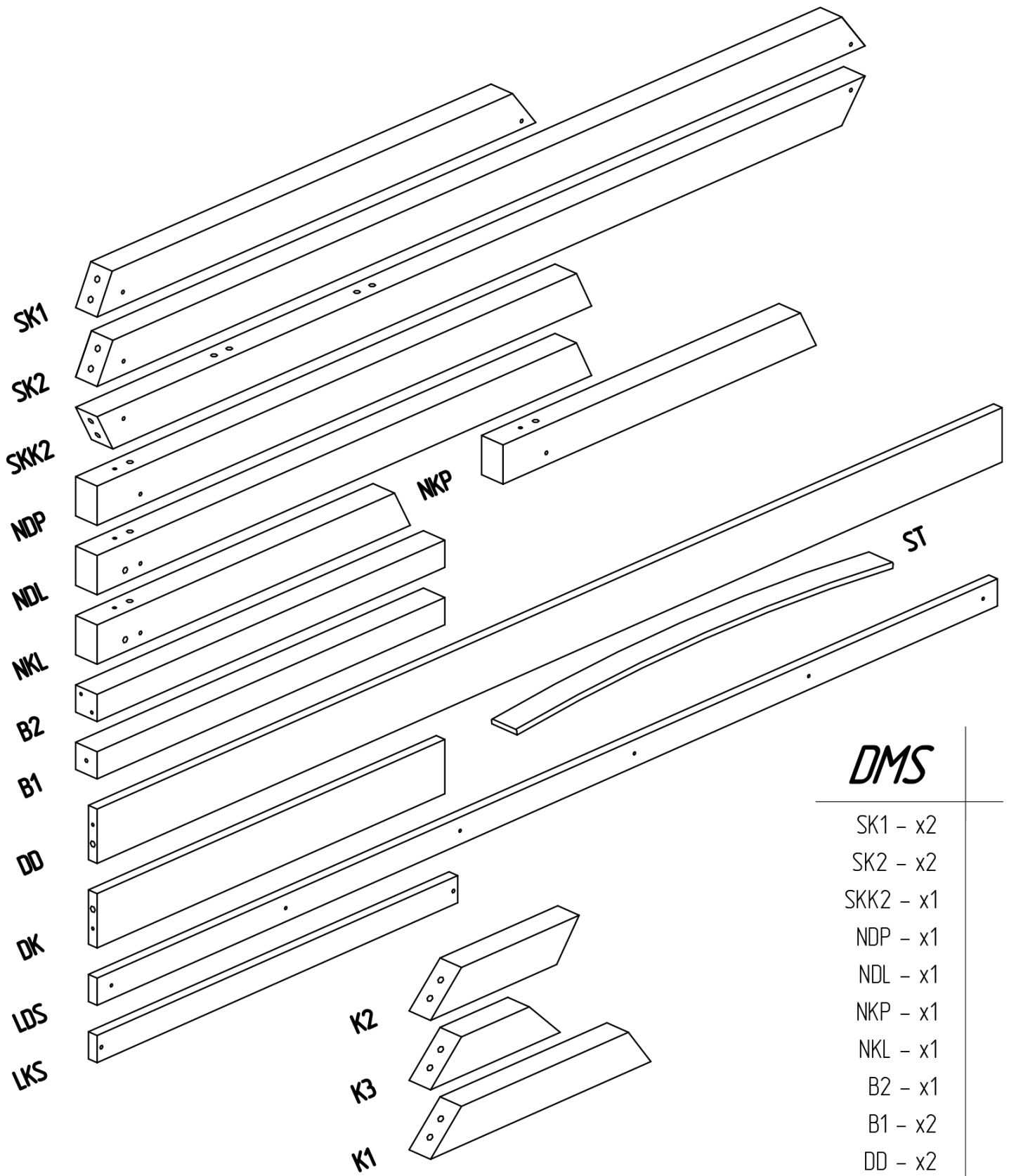
80x140 80x160 80x180

80x190 80x200

90x140 90x160 90x180

90x190 90x200

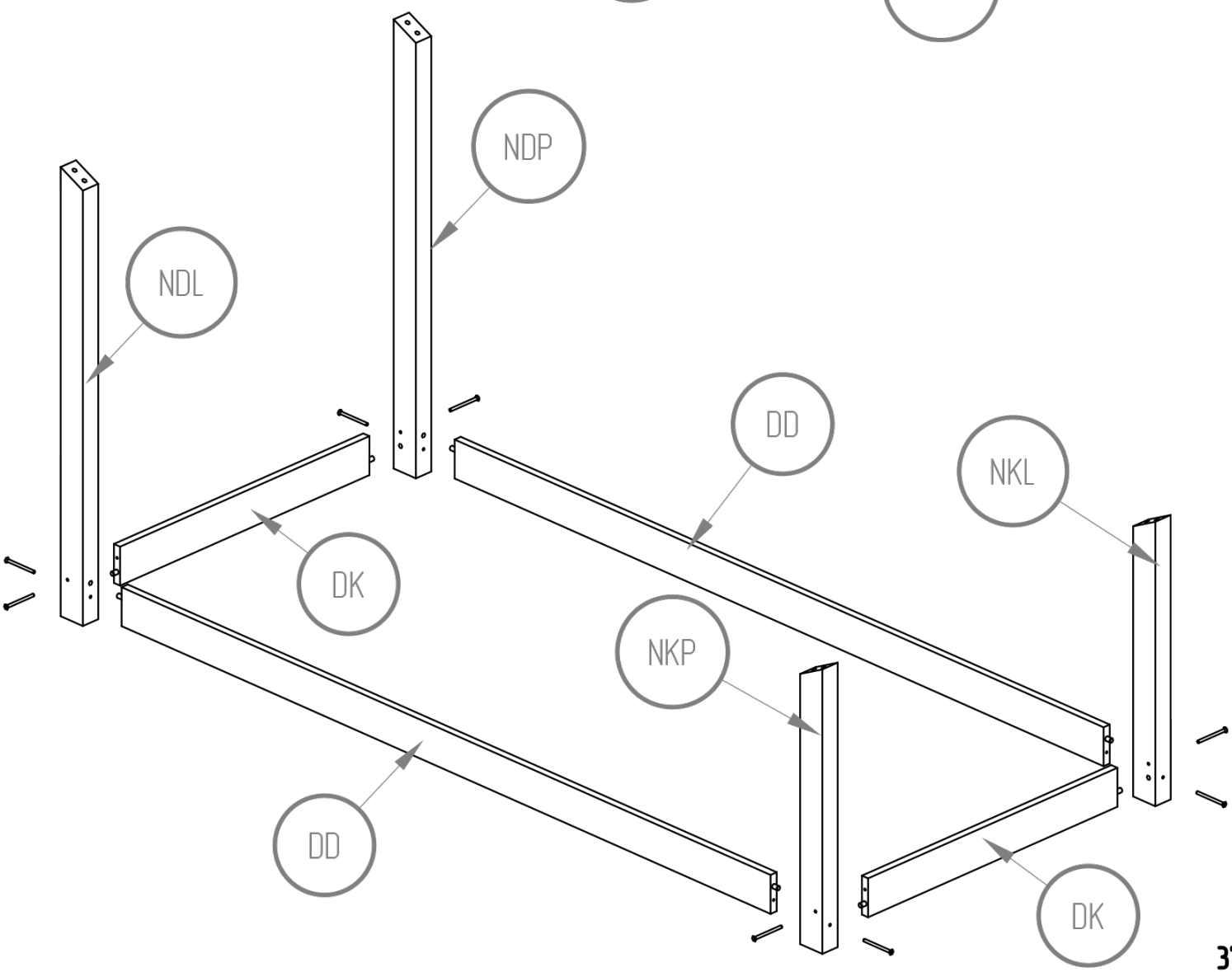
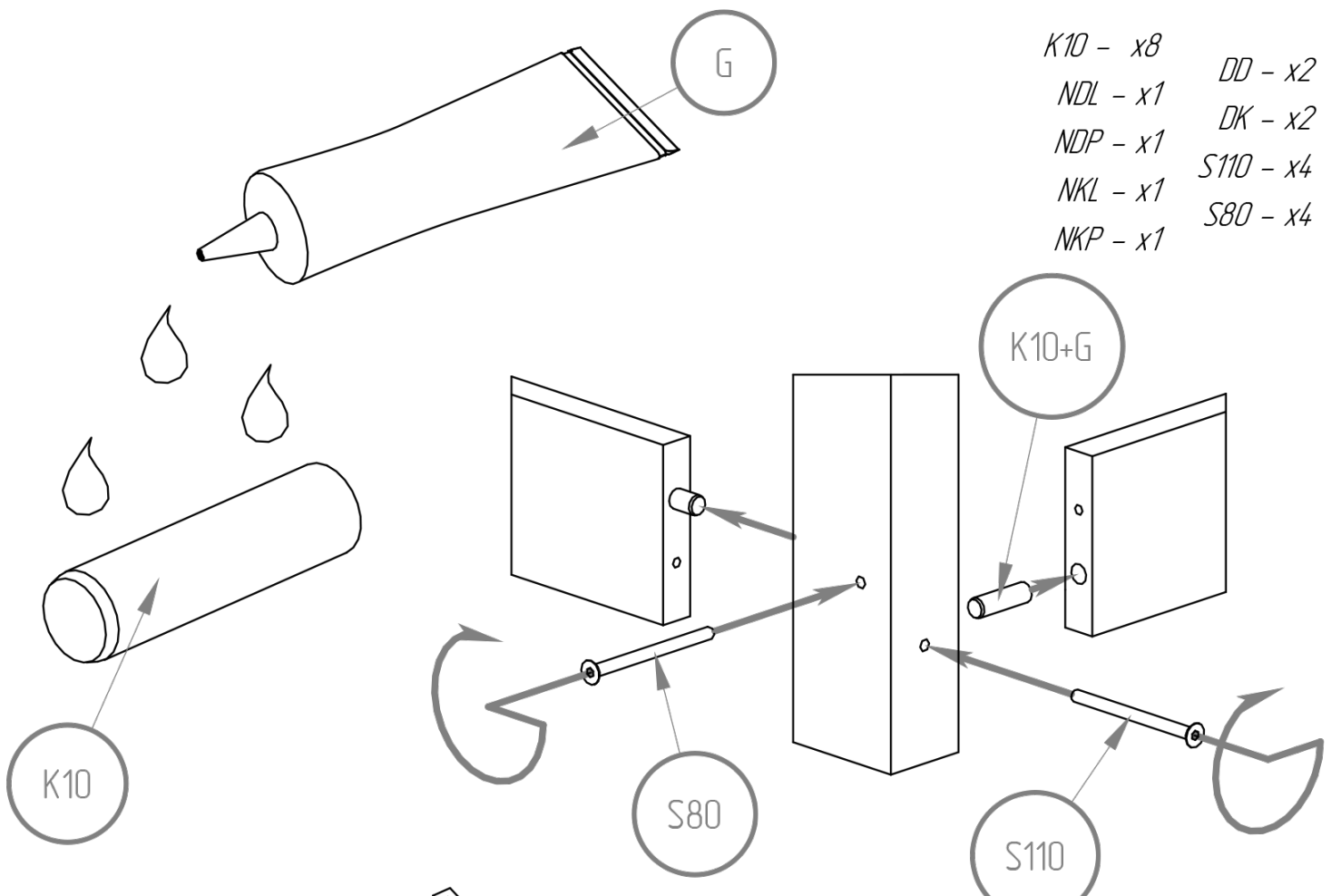




DMS

- SK1 - x2
- SK2 - x2
- SKK2 - x1
- NDP - x1
- NDL - x1
- NKP - x1
- NKL - x1
- B2 - x1
- B1 - x2
- DD - x2
- DK - x2
- LDS - x2
- LKS - x1
- ST - x16
- K2 - x1
- K3 - x1
- K1 - x1

- K10 - x8*
- NDL - x1*
- NDP - x1*
- NKL - x1*
- NKP - x1*
- DD - x2*
- DK - x2*
- S110 - x4*
- S80 - x4*



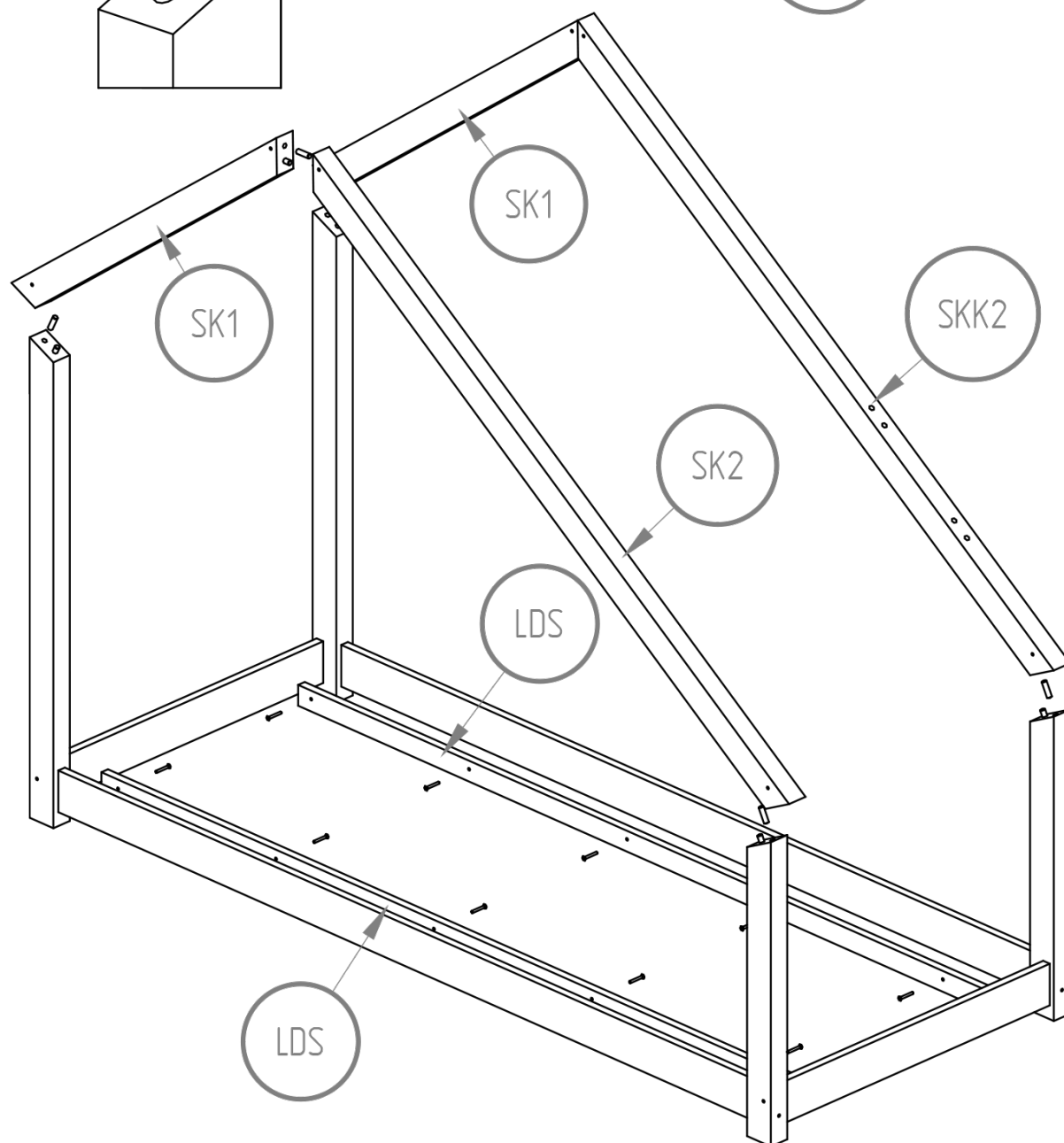
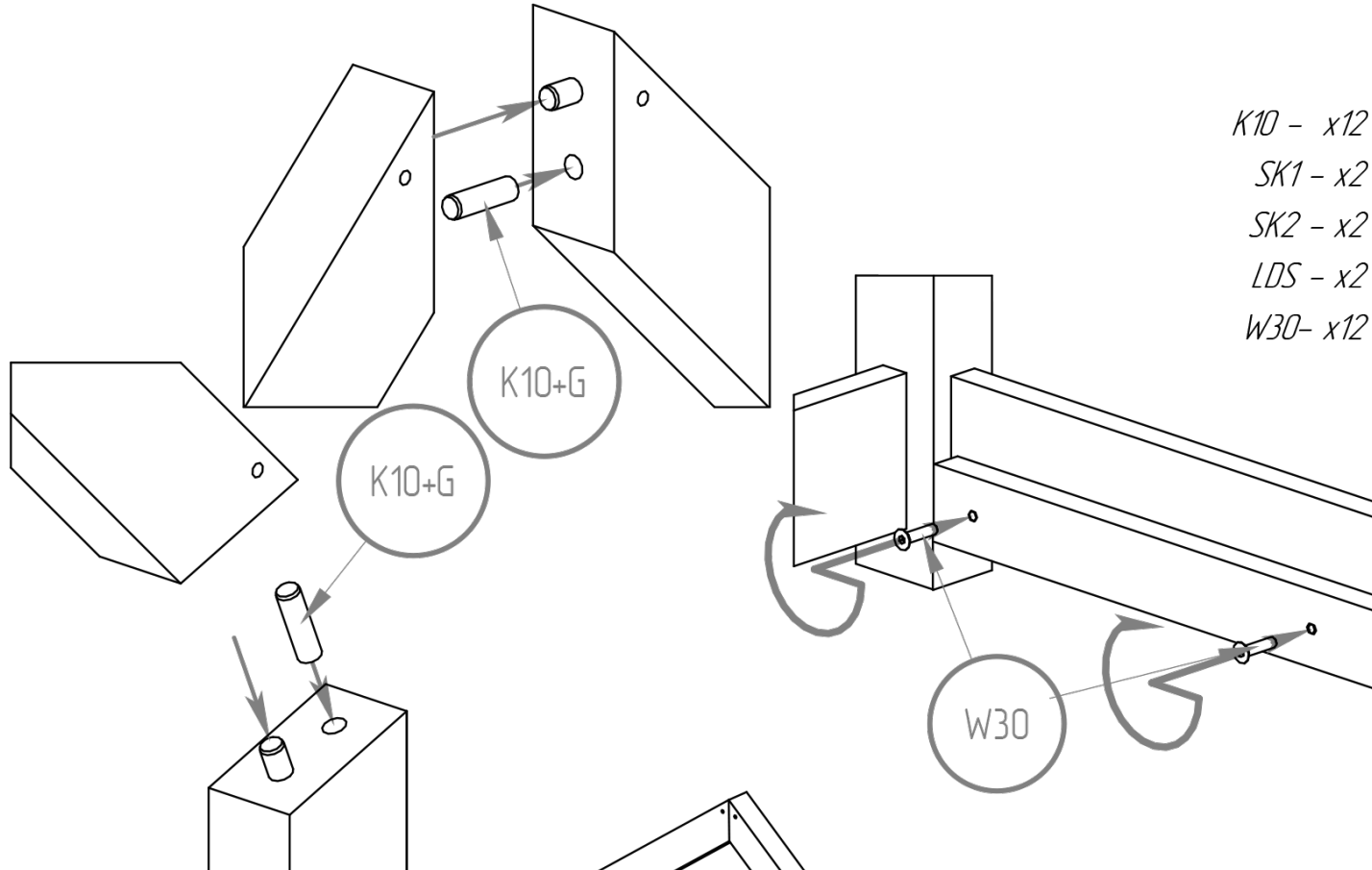
K10 - x12

SK1 - x2

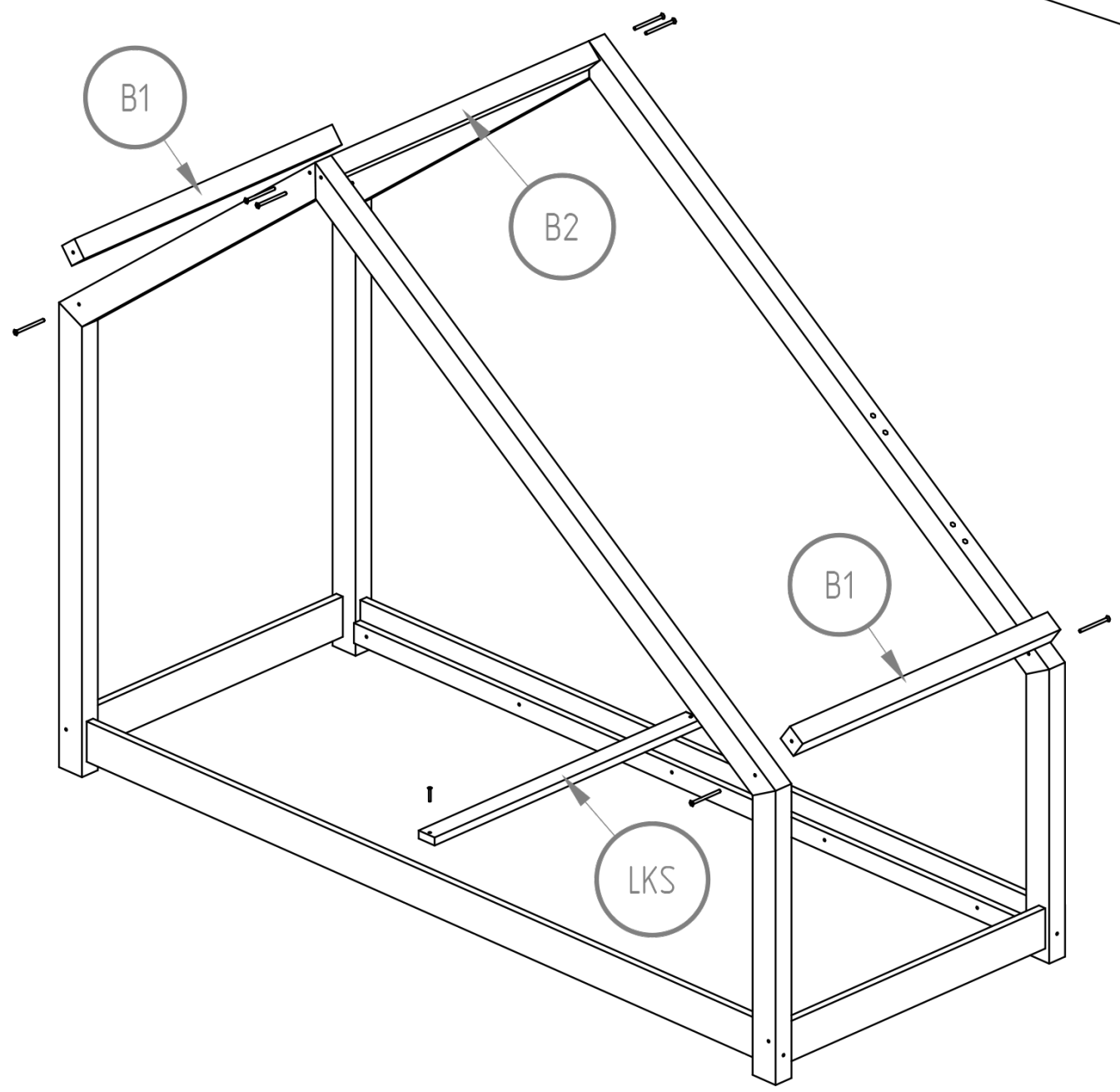
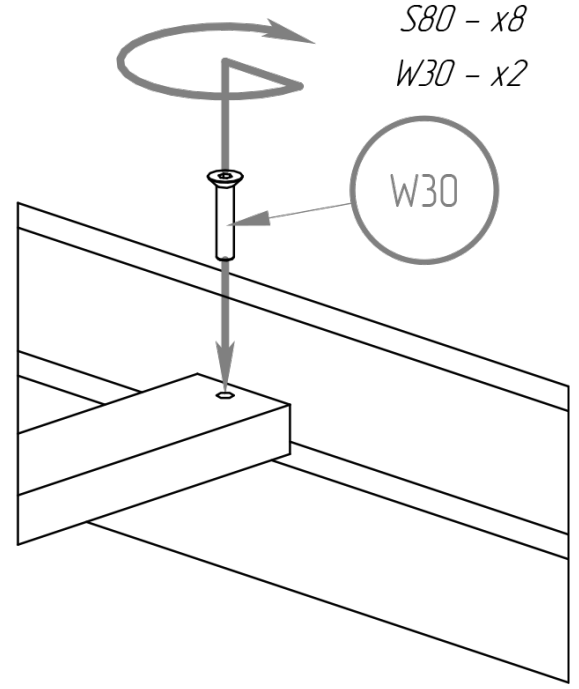
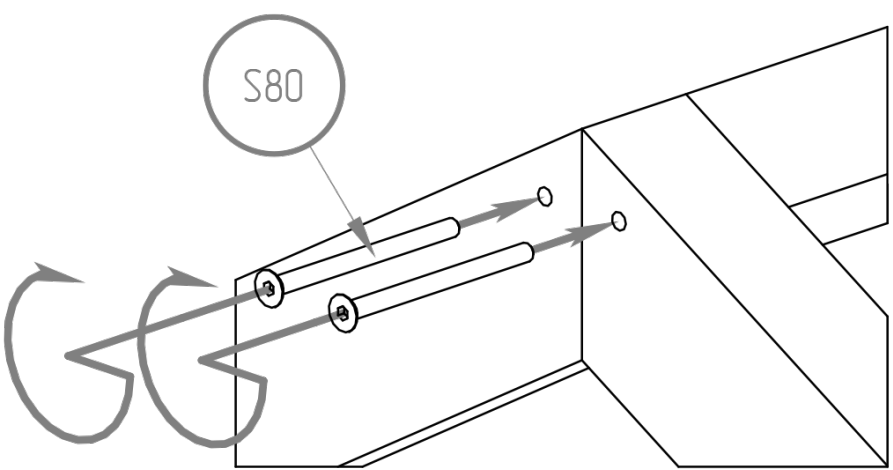
SK2 - x2

LDS - x2

W30 - x12



- B2 - x1
- B1 - x2
- LKS - x1
- S80 - x8
- W30 - x2

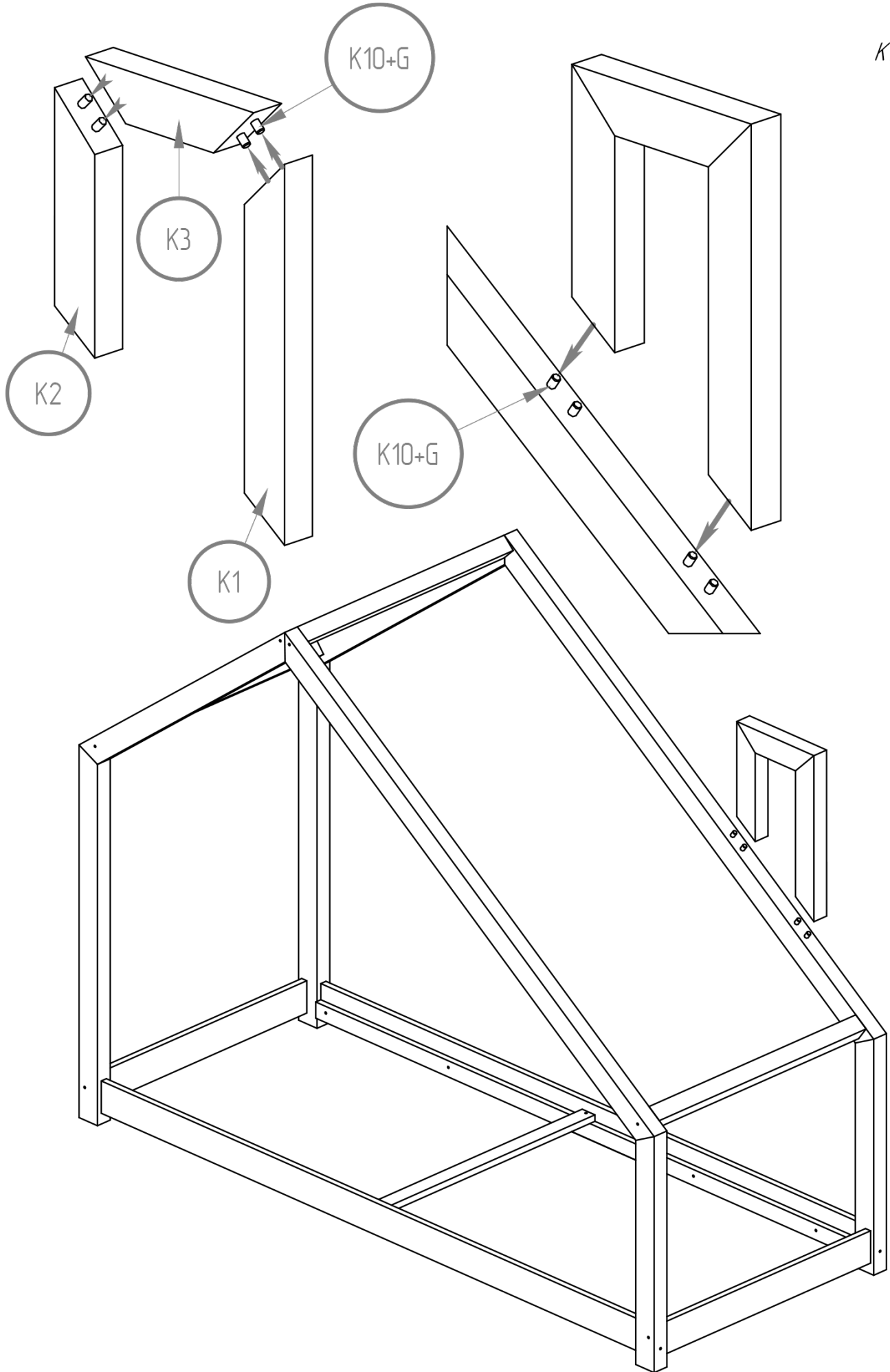


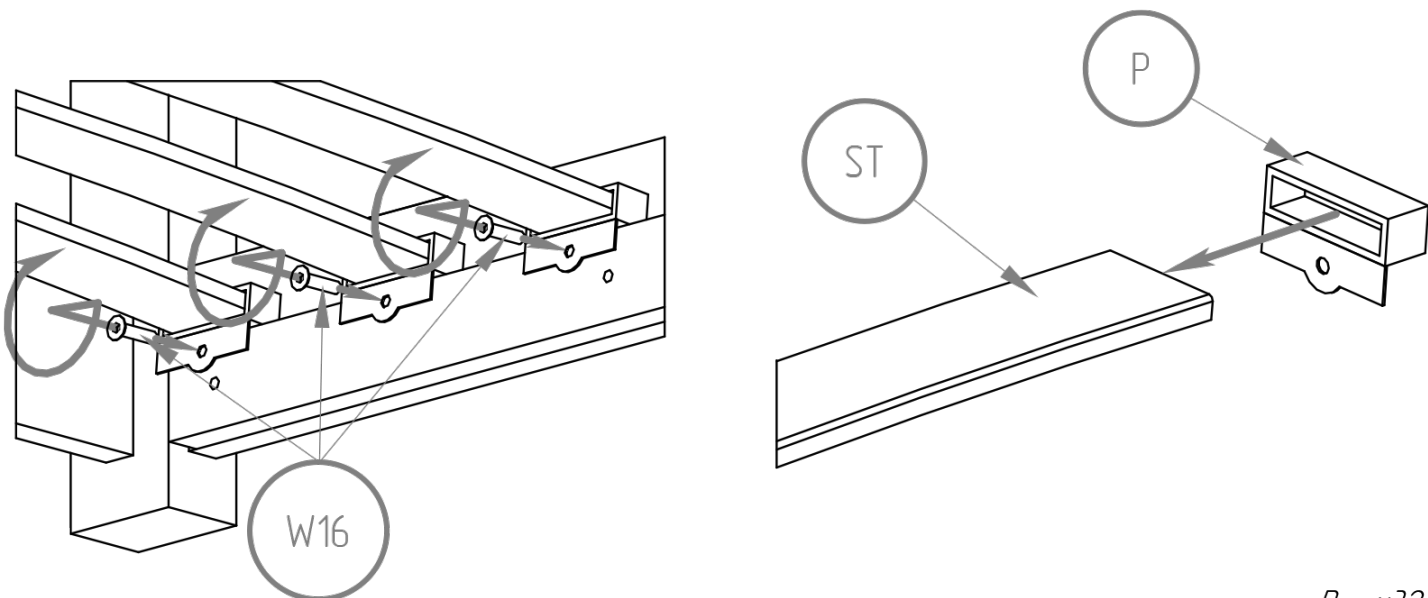
K10 - x8

K1 - x1

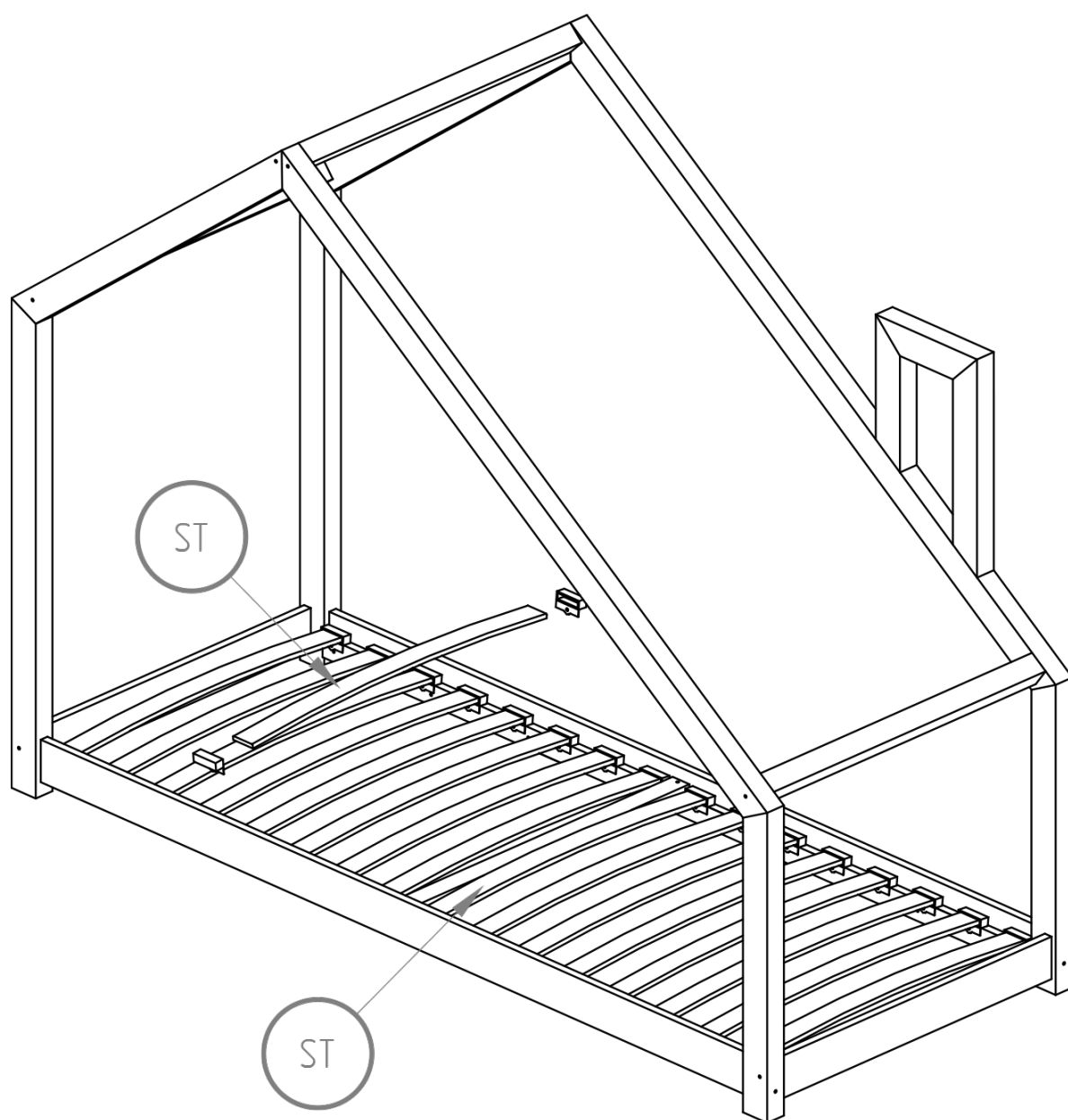
K2 - x1

K3 - x1



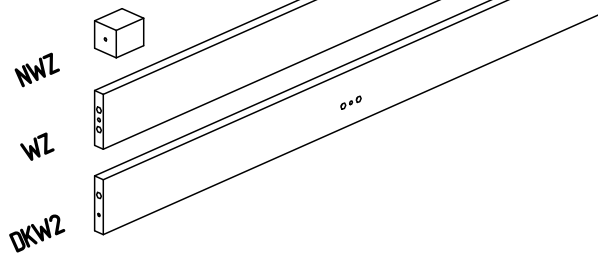
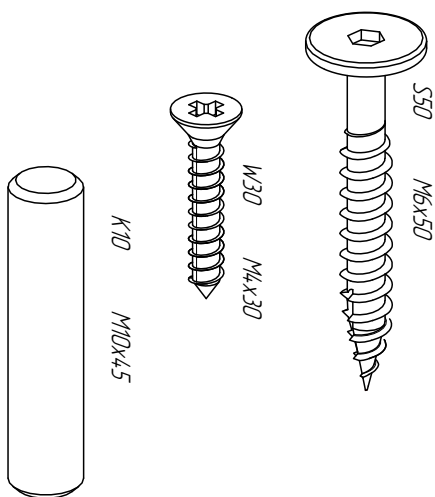
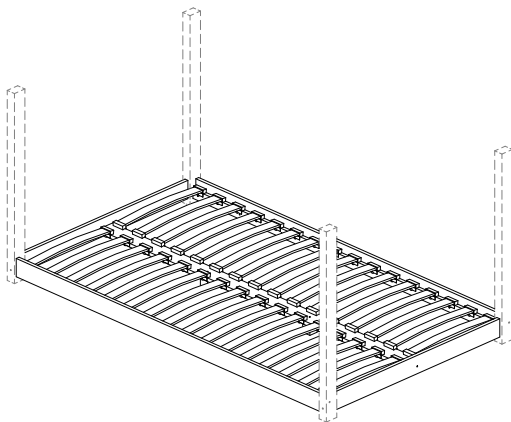


P - x32
ST - x16
W16 - x32



*Montaż łózek o szerokości powyżej 100 cm,
uzupełniamy niniejszą instrukcją.*

*Installation of beds over 100 cm wide,
we complement this instruction.*



+ SIZE

NWZ - x2

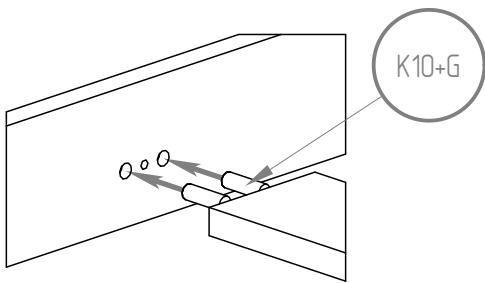
WZ - x1

DKWZ - x2

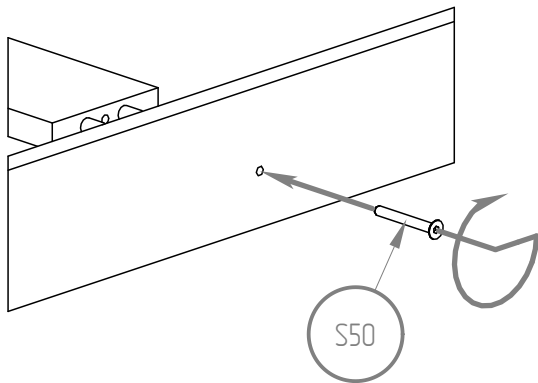
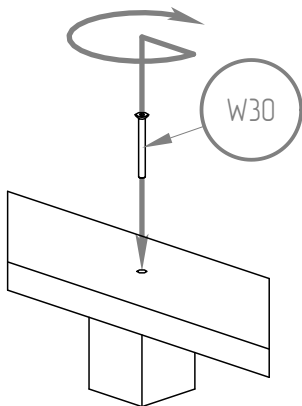
K10 - x4

W30 - x2

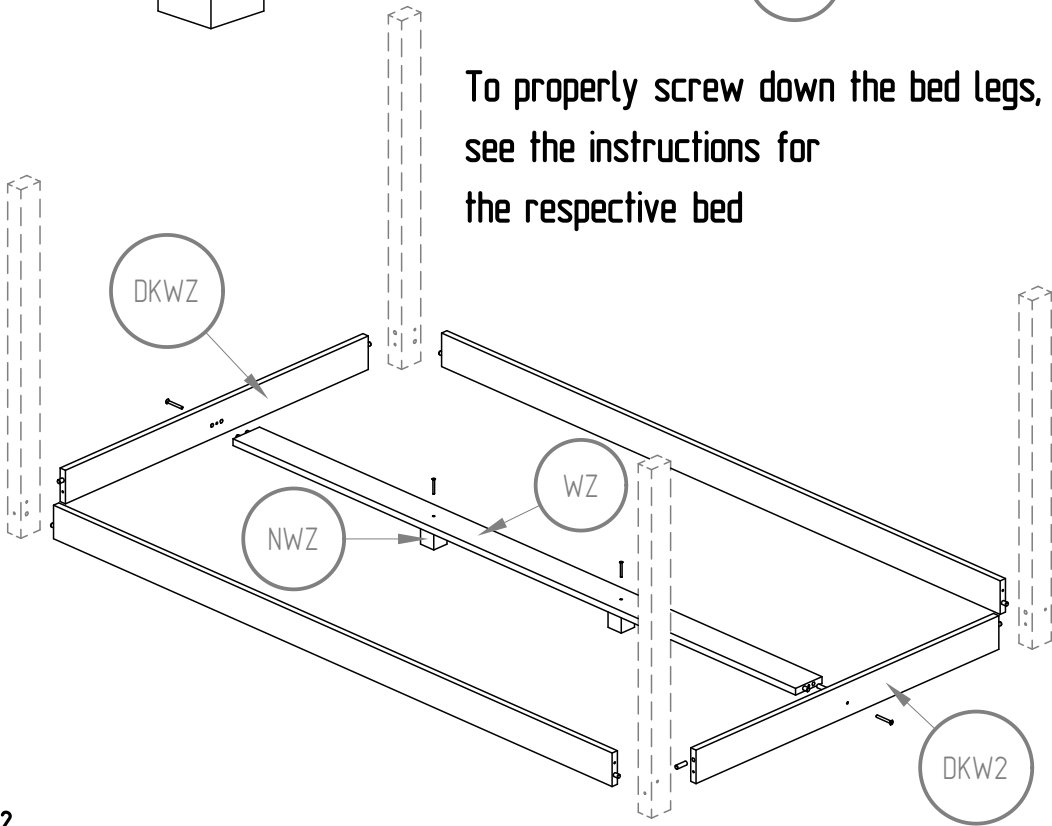
S50 - x2



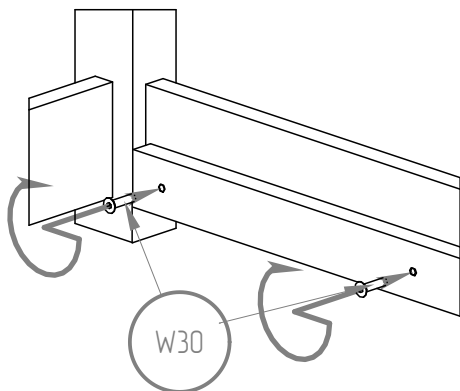
- K10 - x4*
- NWZ - x2*
- WZ - x1*
- DKWZ - x2*
- S50 - x2*
- W30 - x2*



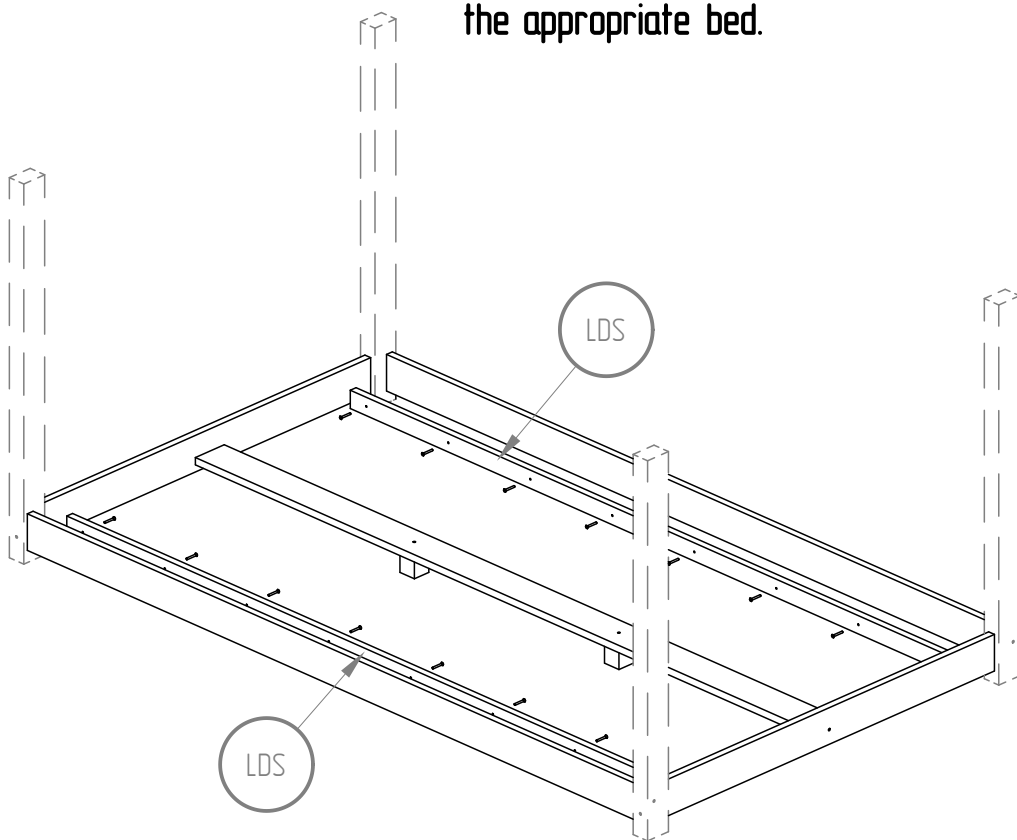
To properly screw down the bed legs, see the instructions for the respective bed

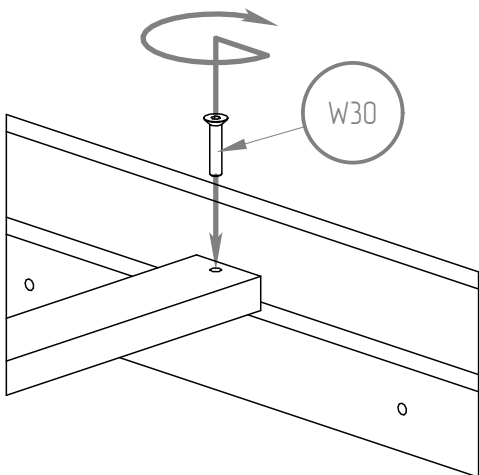


LDS - x2
W30 - x16



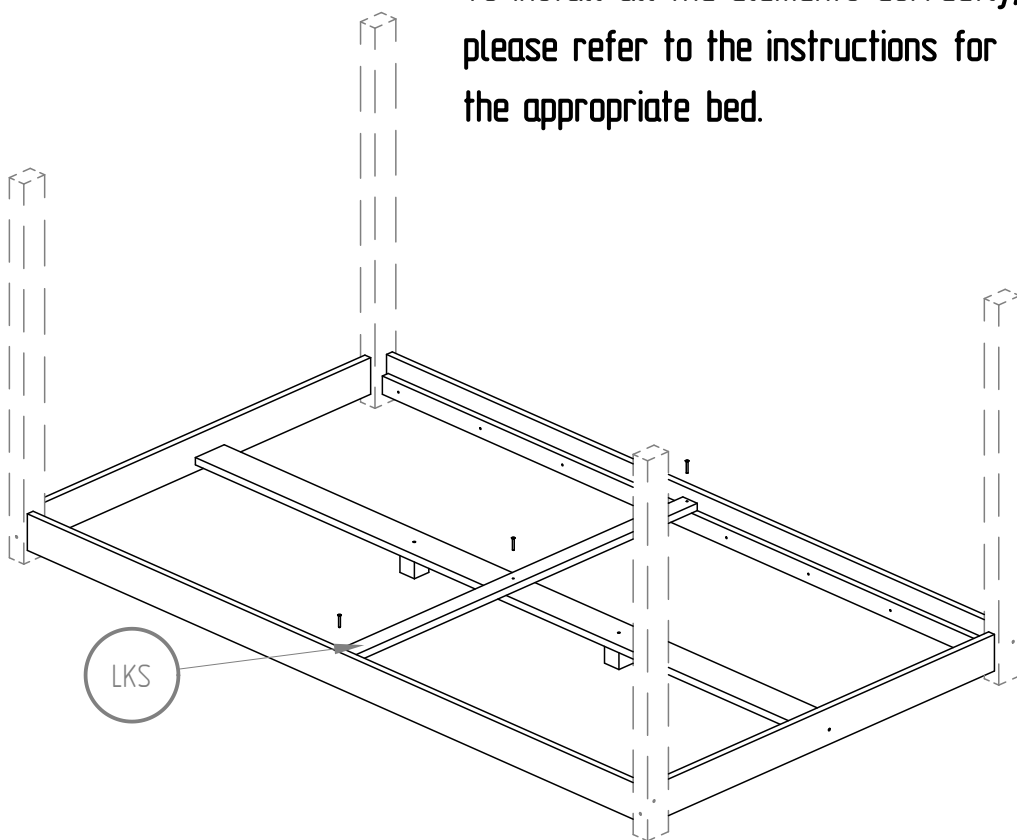
To install all the elements correctly,
please refer to the instructions for
the appropriate bed.

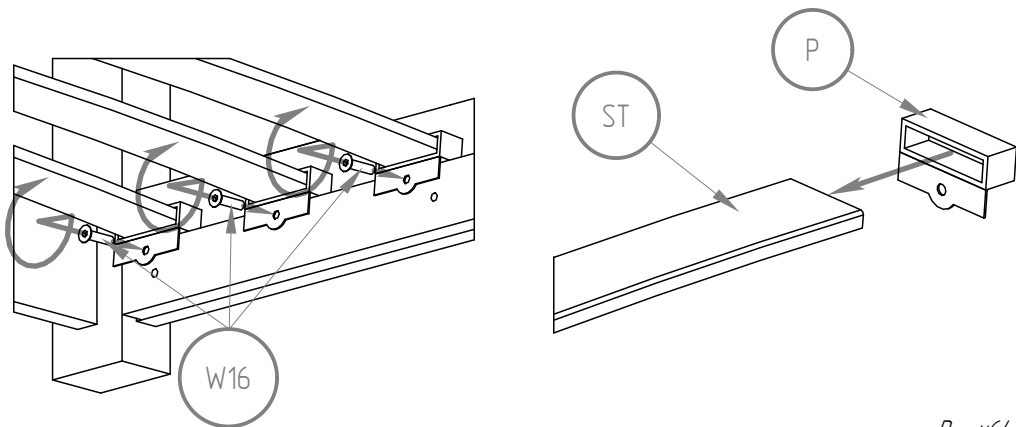




LKS - x1
W30 - x3

To install all the elements correctly,
please refer to the instructions for
the appropriate bed.





P - x64
ST - x32
W16 - x64

To install all the elements correctly,
please refer to the instructions for
the appropriate bed.

