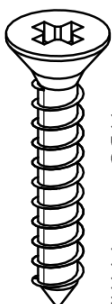
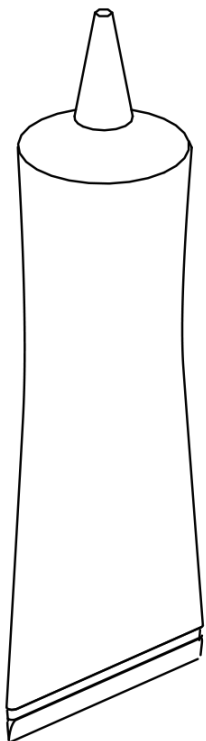


P

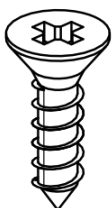


K10 M10x45

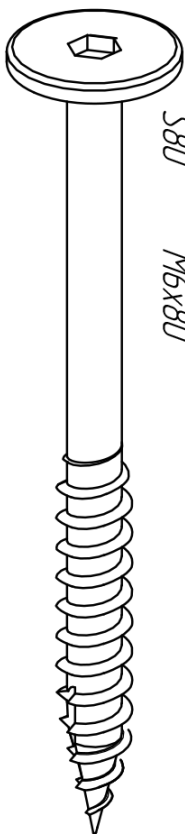
G
Glue Kley



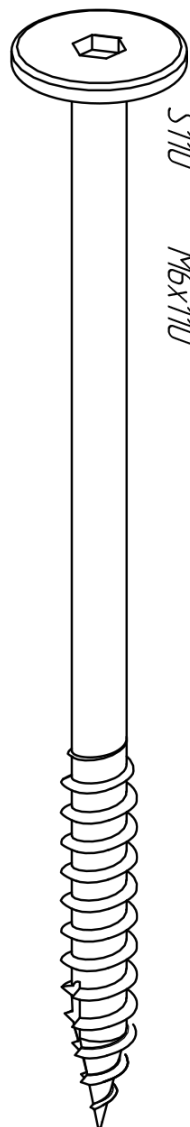
W30 M4x30



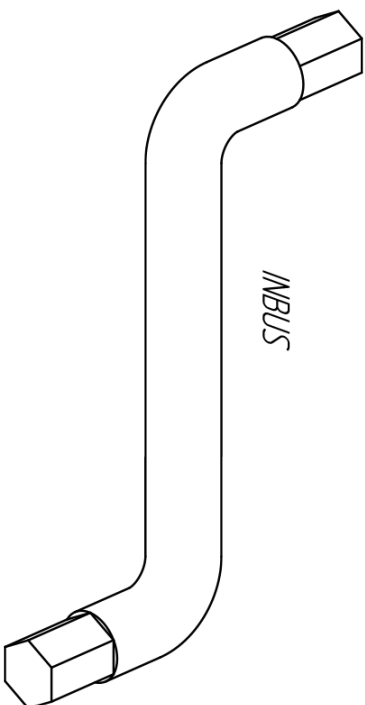
W16 M4x16



S80 M6x80



S110 M6x110



INBUS

LOCA

LUNA

S110 - x8
S80 - x12
W30 - x14
W16 - x32
P - x32
K10 - x28
G - x3
INBUS - x1

S110 - x8
S80 - x20
W30 - x14
W16 - x32
P - x32
K10 - x36
G - x3
INBUS - x1

LUNA A

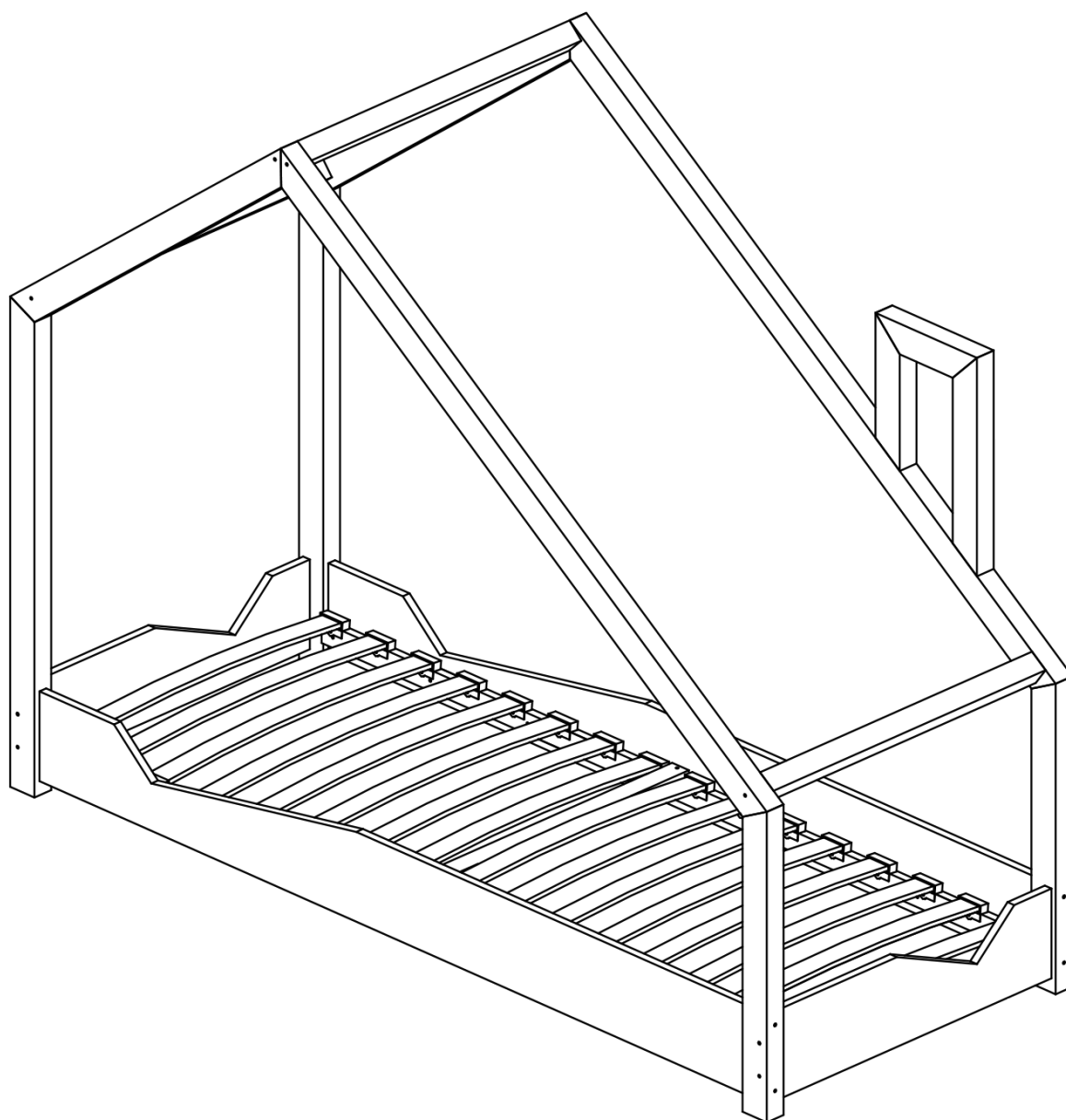
60x120 70x140 70x160

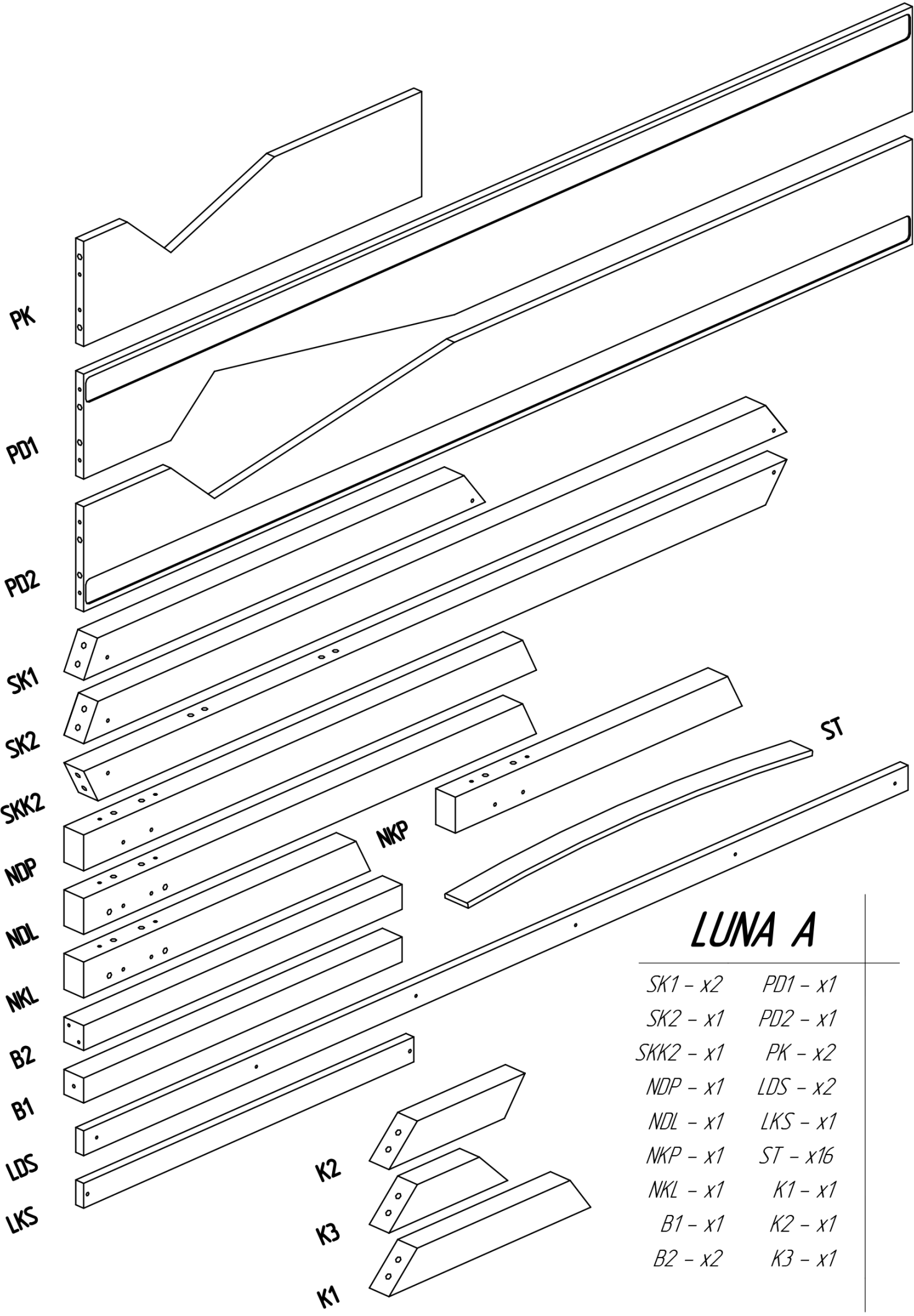
80x140 80x160 80x180

80x190 80x200

90x140 90x160 90x180

90x190 90x200

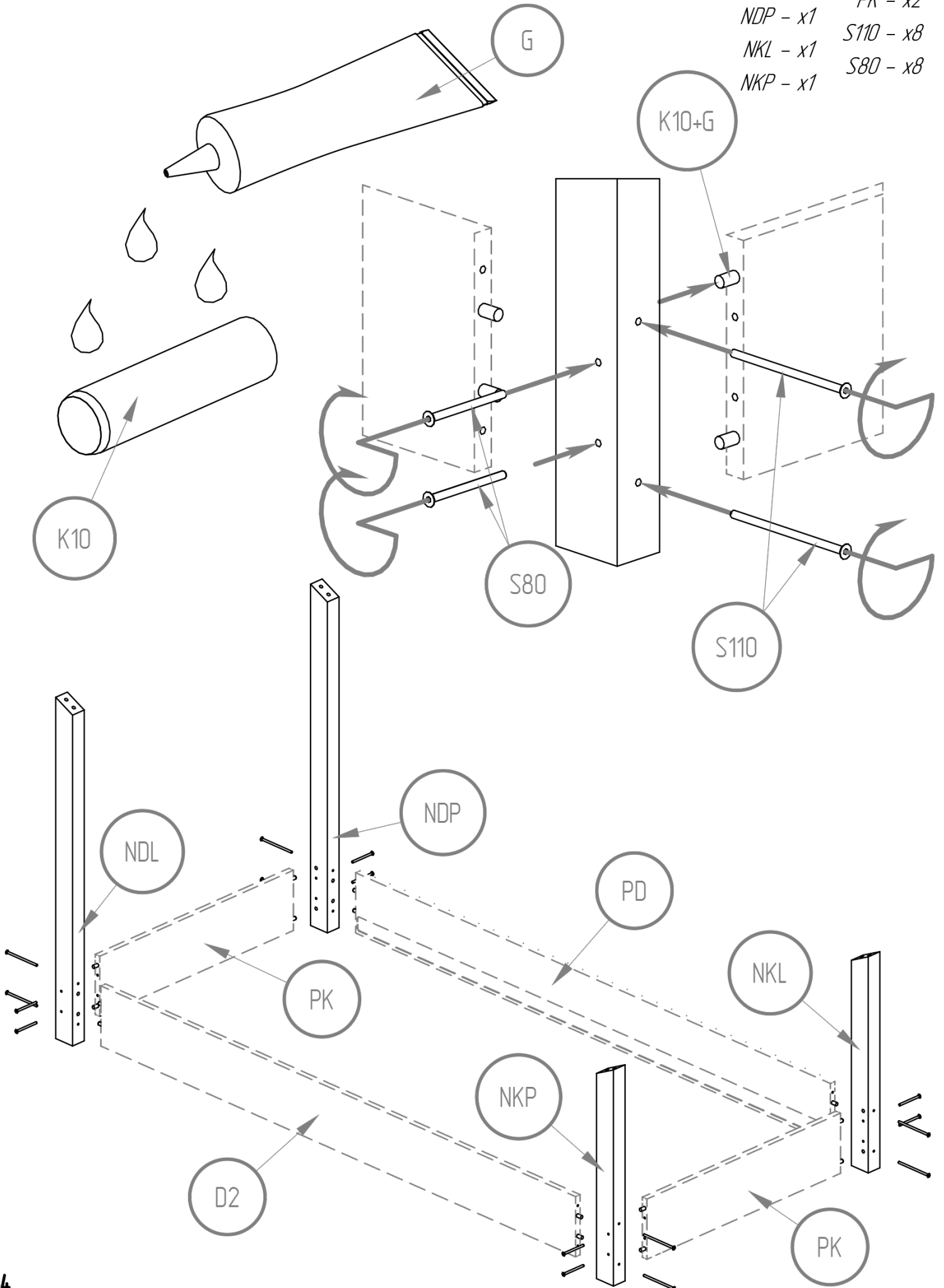




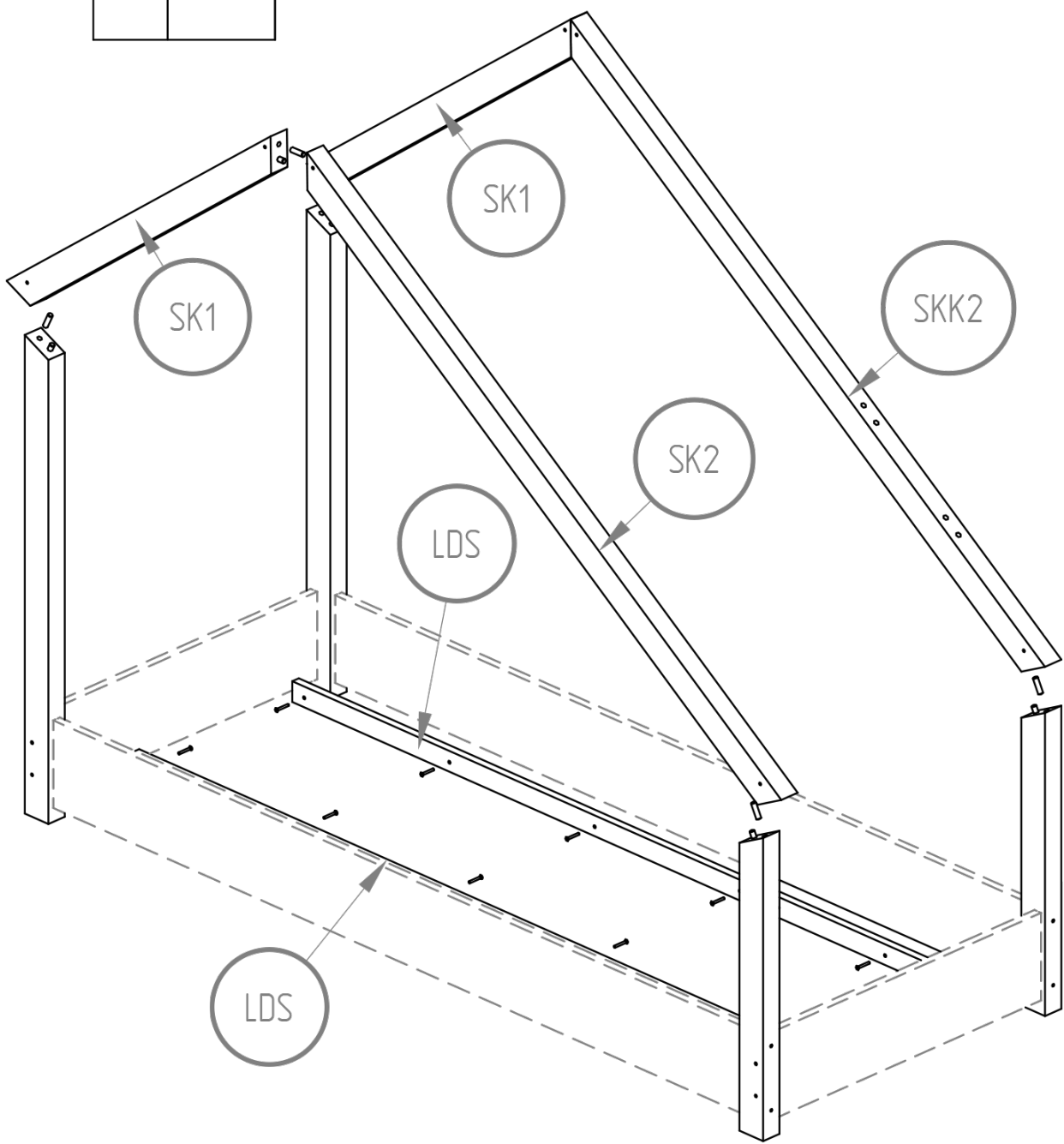
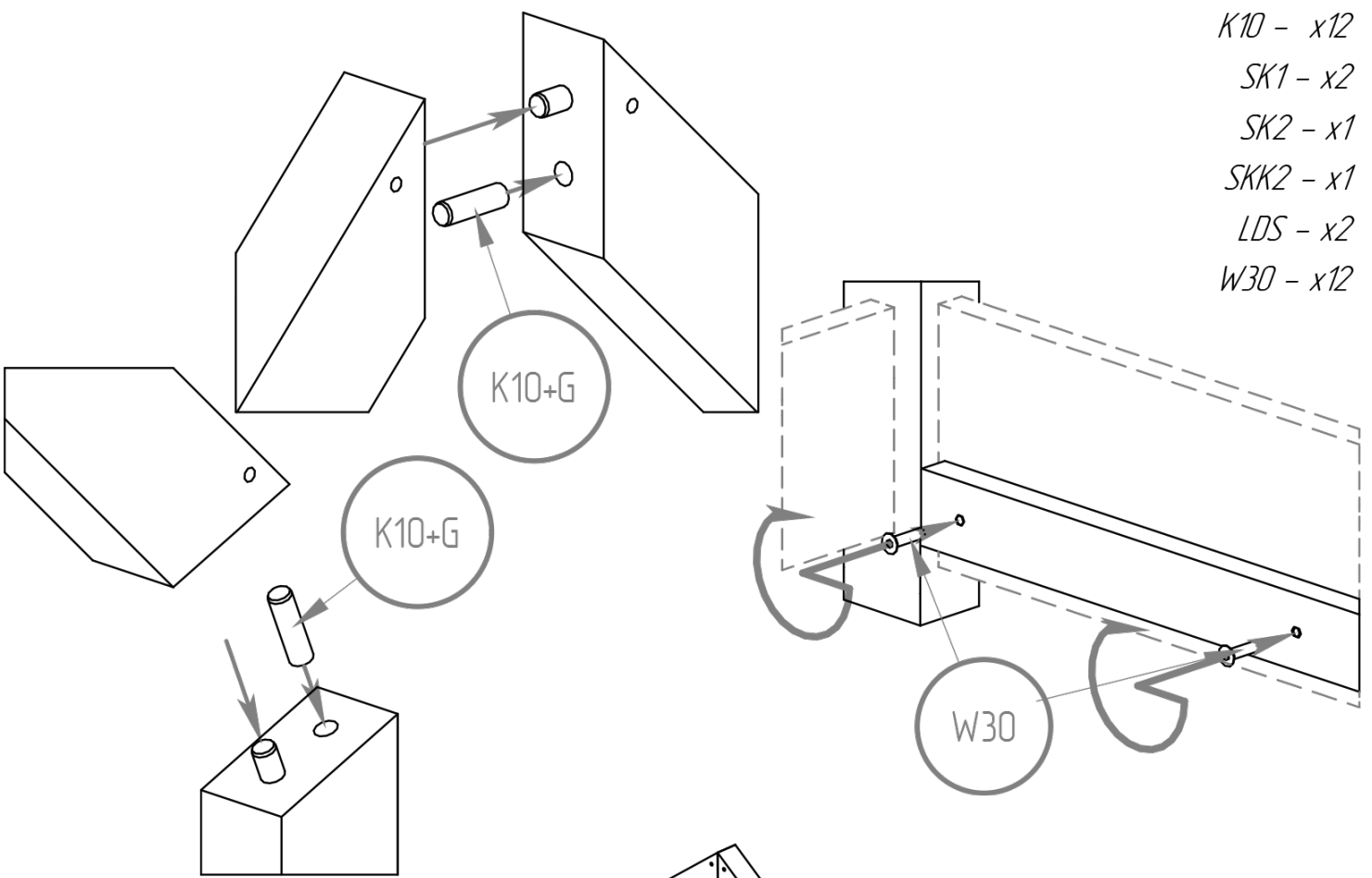
LUNA A

SK1 - x2	PD1 - x1
SK2 - x1	PD2 - x1
SKK2 - x1	PK - x2
NDP - x1	LDS - x2
NDL - x1	LKS - x1
NKP - x1	ST - x16
NKL - x1	K1 - x1
B1 - x1	K2 - x1
B2 - x2	K3 - x1

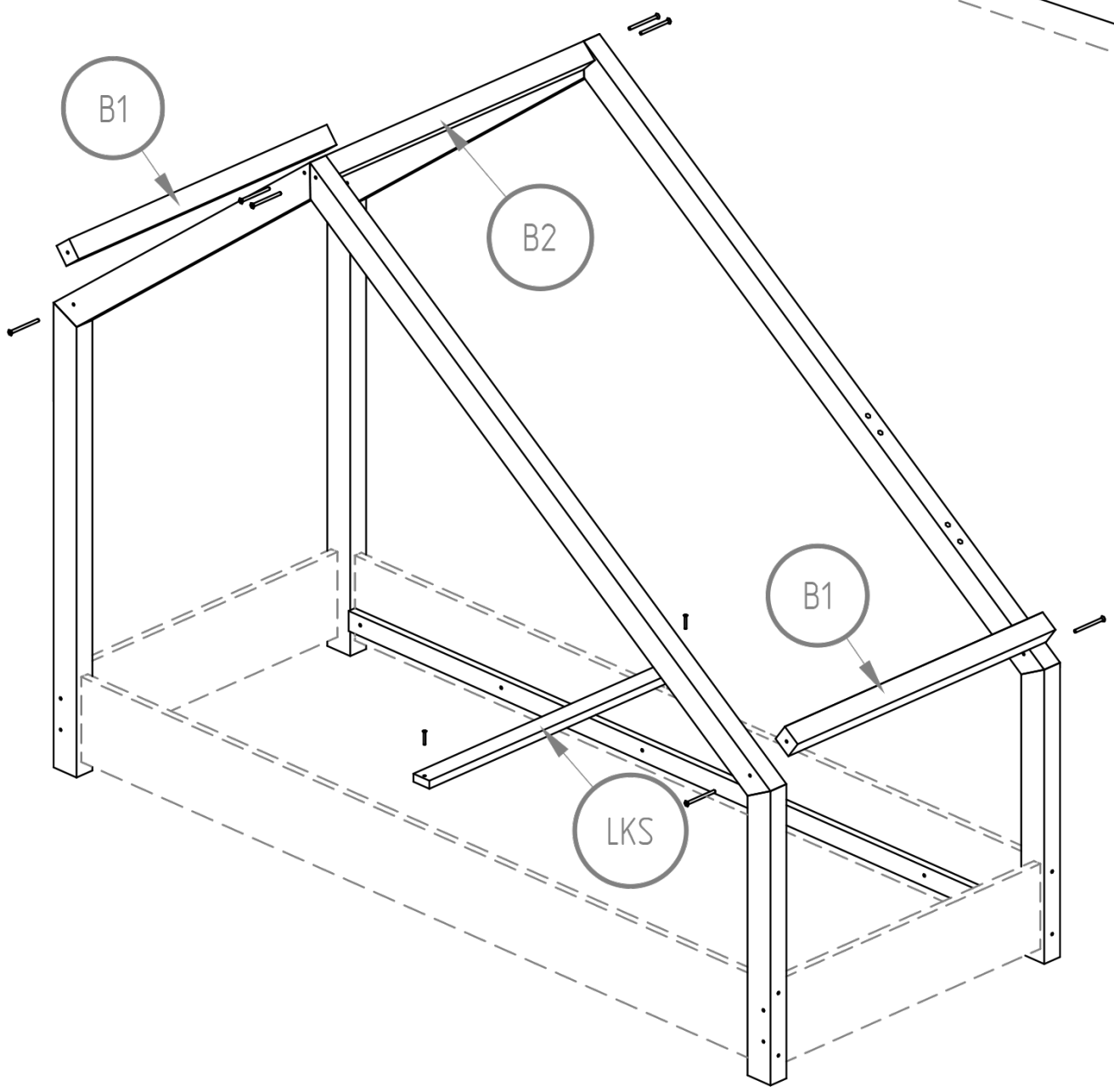
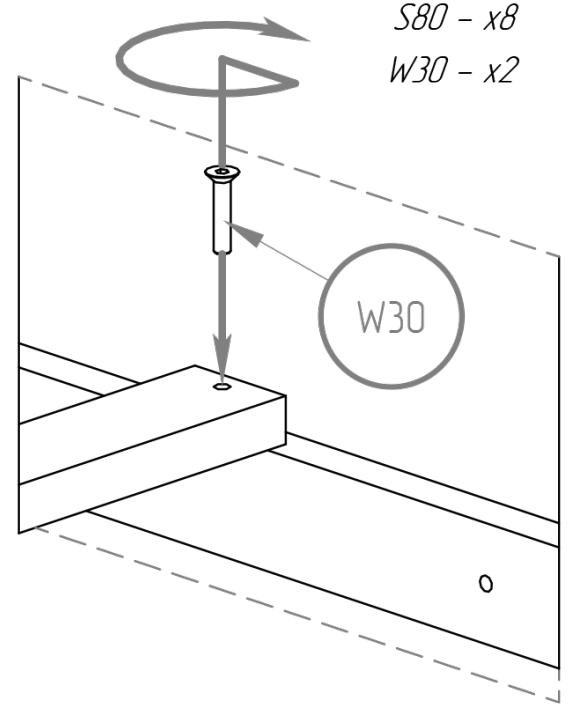
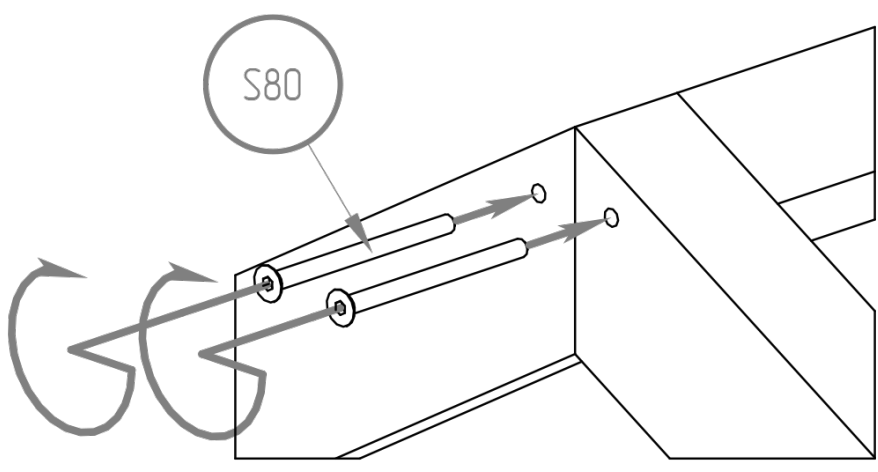
K10 - x16 *PD - x2*
NDL - x1 *PK - x2*
NDP - x1 *S110 - x8*
NKL - x1 *S80 - x8*
NKP - x1



- K10* - x12
- SK1* - x2
- SK2* - x1
- SKK2* - x1
- LDS* - x2
- W30* - x12



- B2 - x1
- B1 - x2
- LKS - x1
- S80 - x8
- W30 - x2

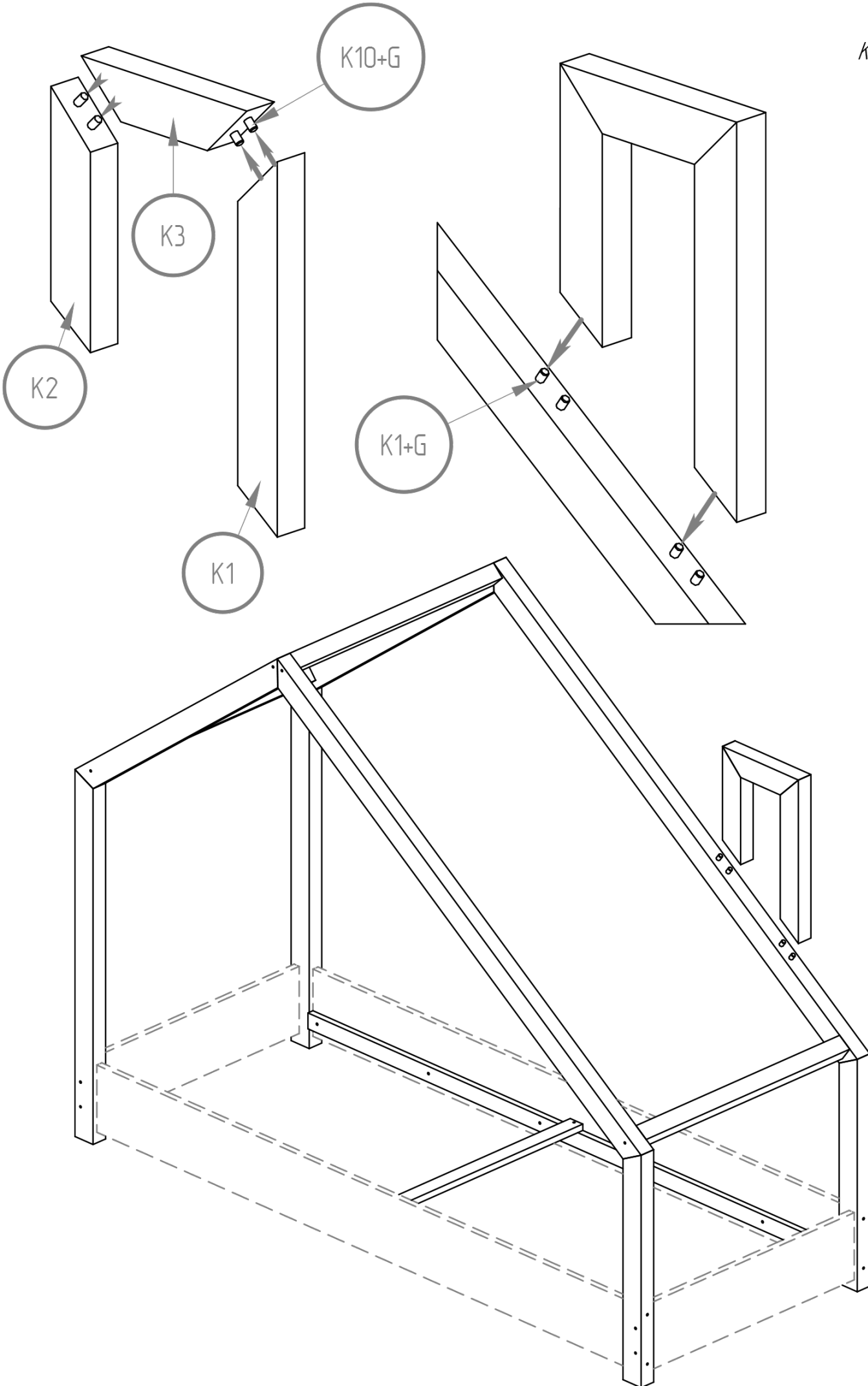


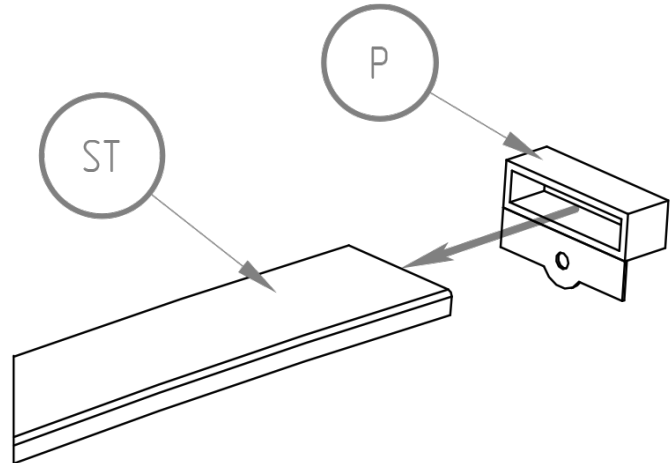
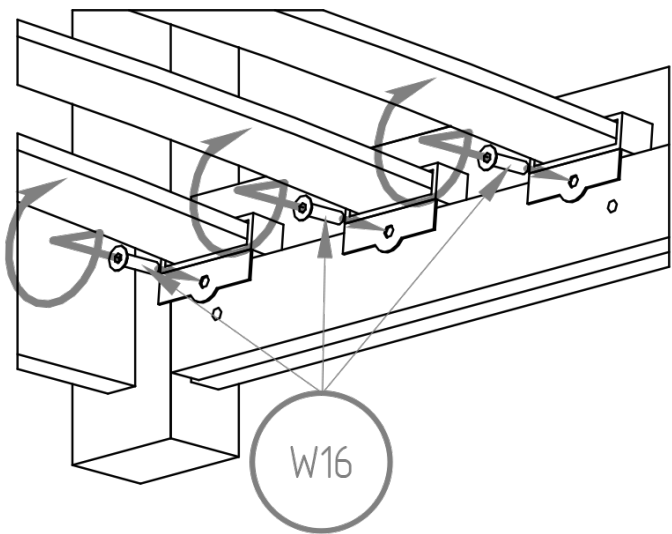
K10 - x8

K1 - x1

K2 - x1

K3 - x1





P - x32
ST - x16
W16 - x32

