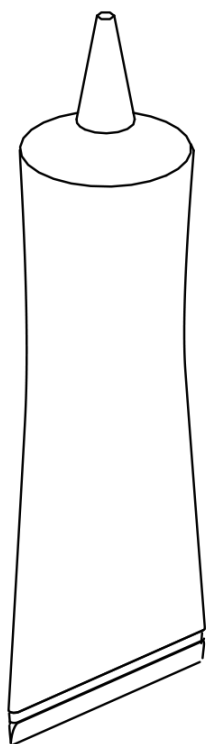


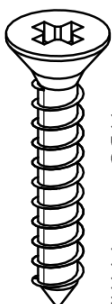
P



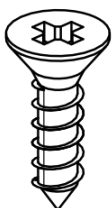
K10 M10x45



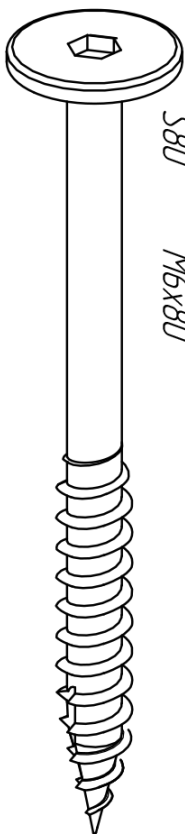
G Glue Klej



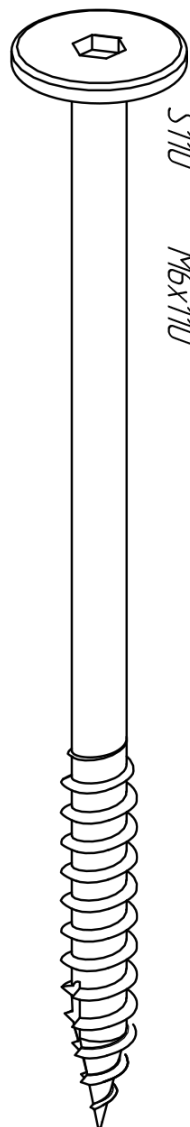
W30 M4x30



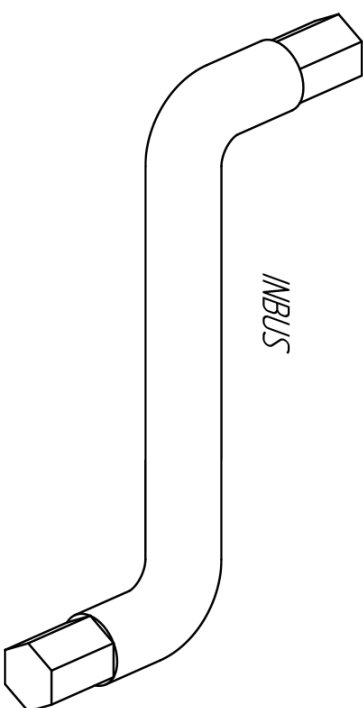
W16 M4x16



S80 M6x80



S110 M6x110



INBUS

**LOCA**

**LUNA**

- S110 - x8
- S80 - x12
- W30 - x14
- W16 - x32
- P - x32
- K10 - x28
- G - x3
- INBUS - x1

- S110 - x8
- S80 - x20
- W30 - x14
- W16 - x32
- P - x32
- K10 - x36
- G - x3
- INBUS - x1

# LOCA A

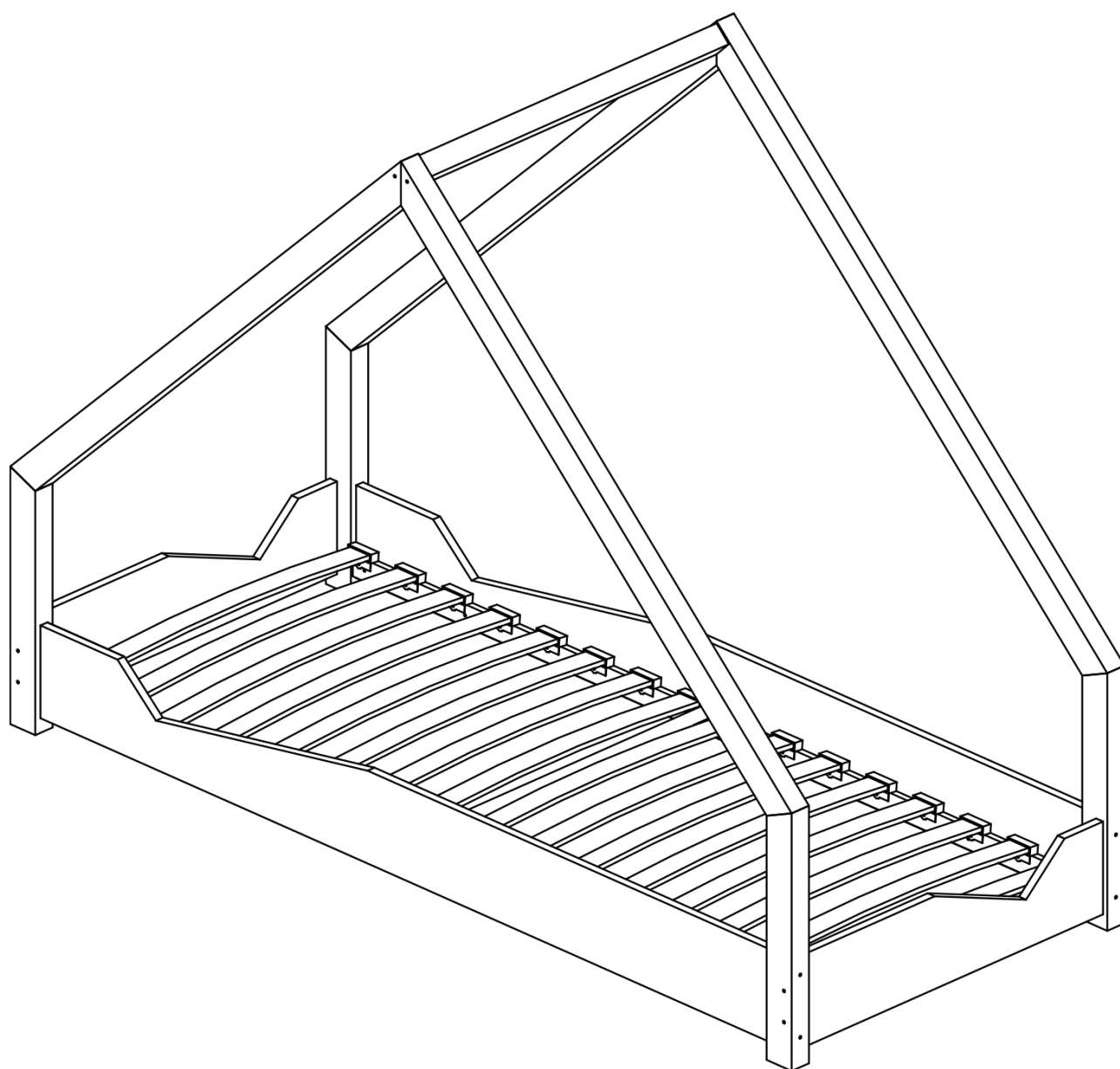
*60x120 70x140 70x160*

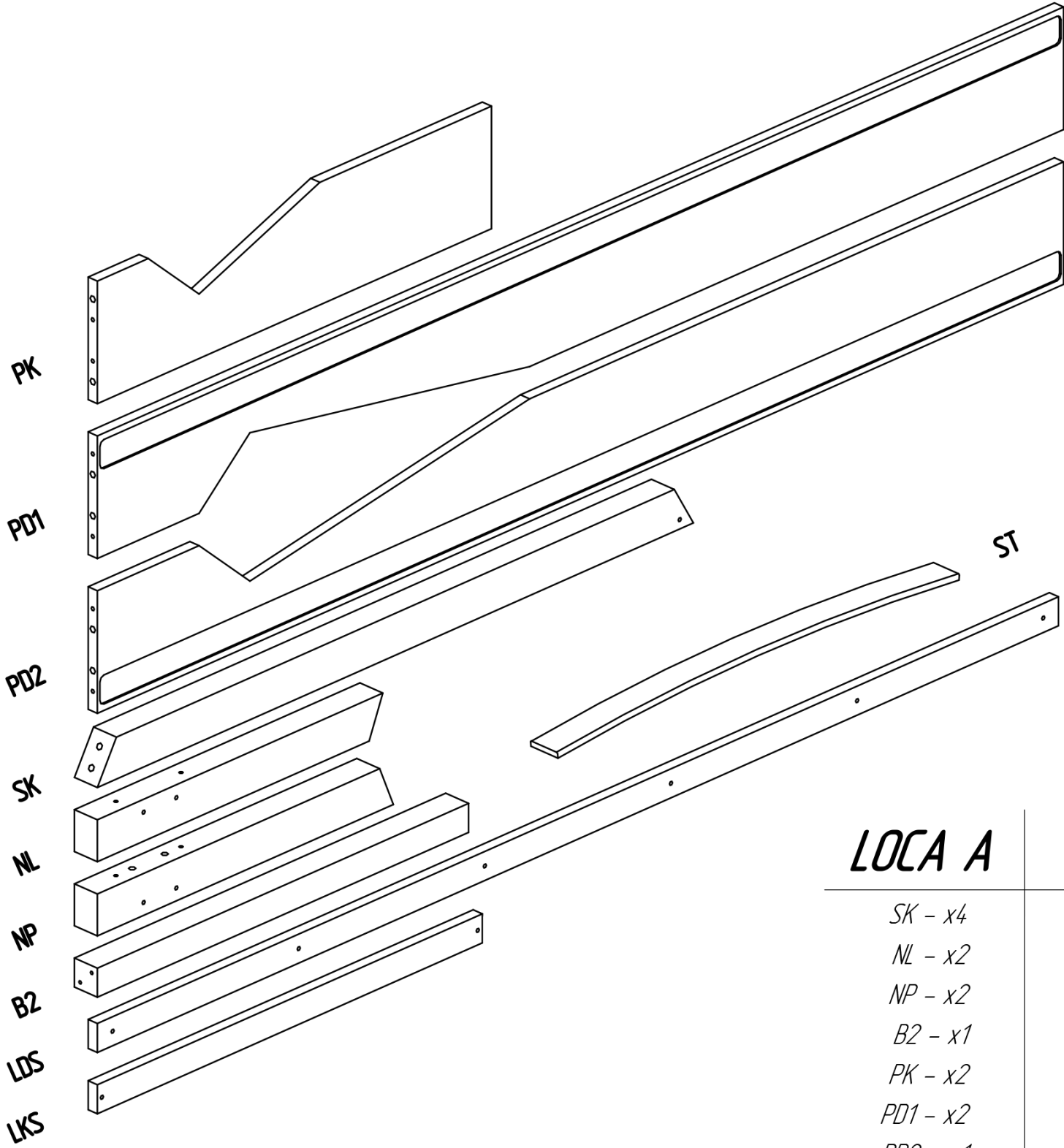
*80x140 80x160 80x180*

*80x190 80x200*

*90x140 90x160 90x180*

*90x190 90x200*





## LOCA A

- SK - x4
- NL - x2
- NP - x2
- B2 - x1
- PK - x2
- PD1 - x2
- PD2 - x1
- LDS - x2
- LKS - x1
- ST - x16

*K10 - x16*

*NL - x2*

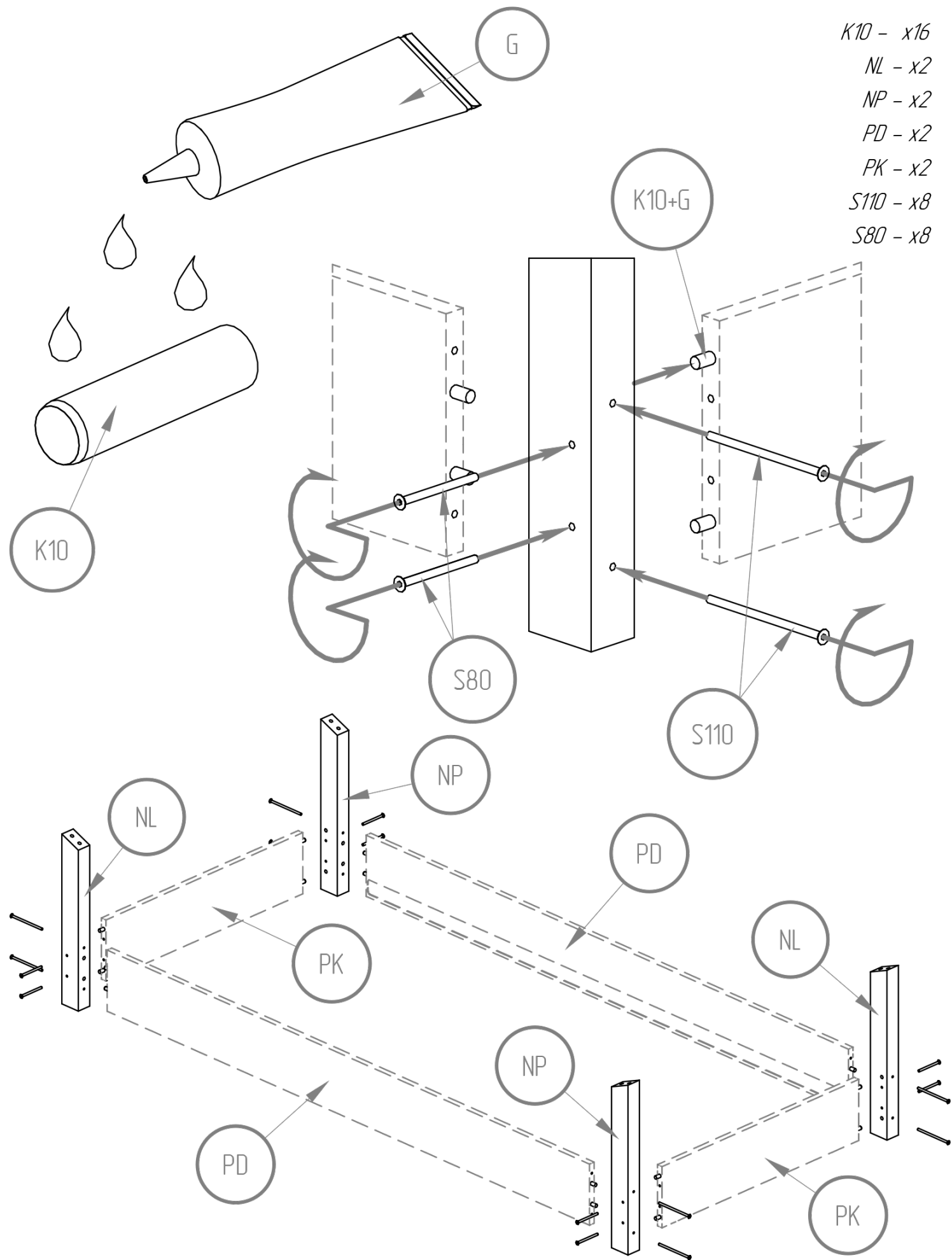
*NP - x2*

*PD - x2*

*PK - x2*

*S110 - x8*

*S80 - x8*

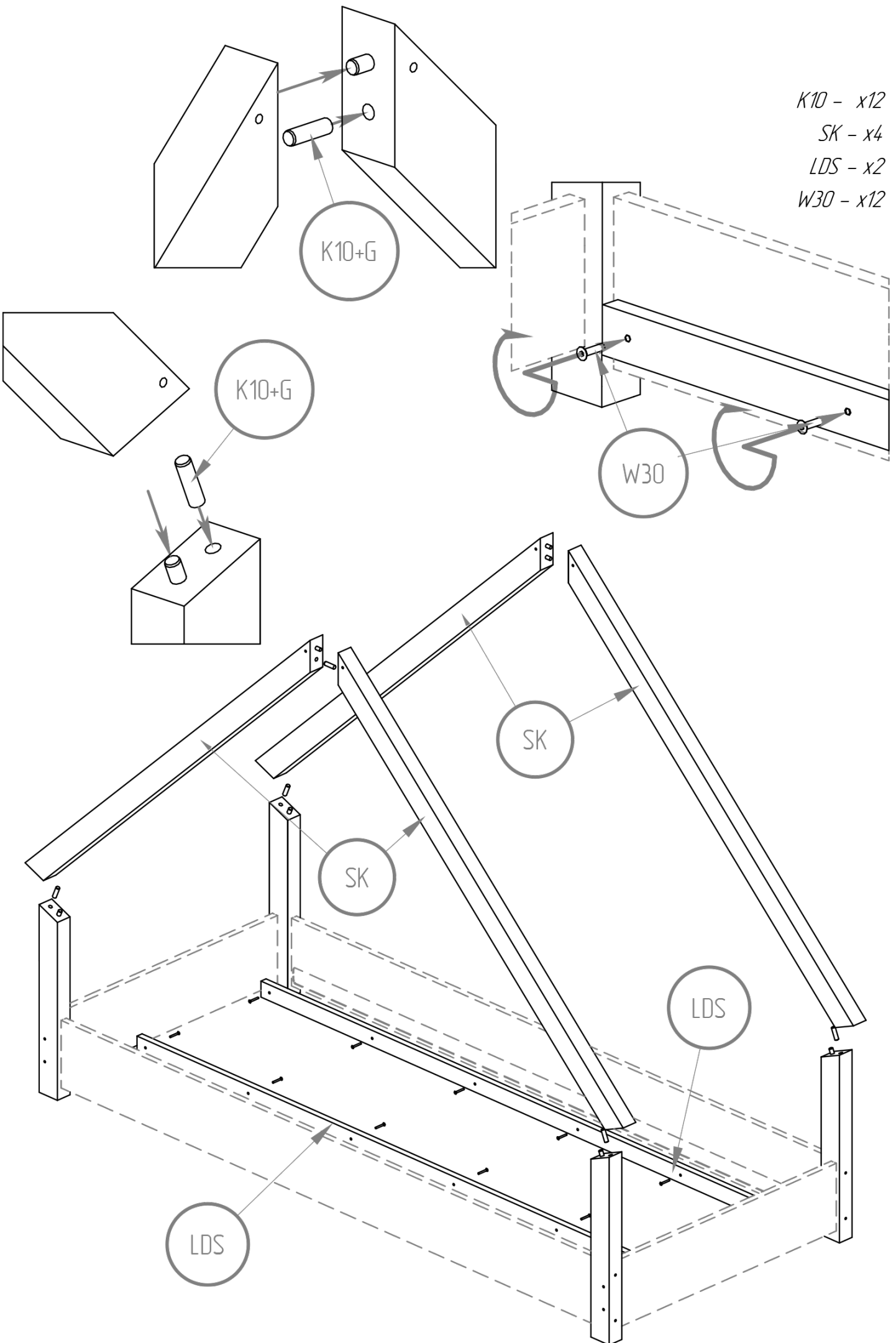


*K10 - x12*

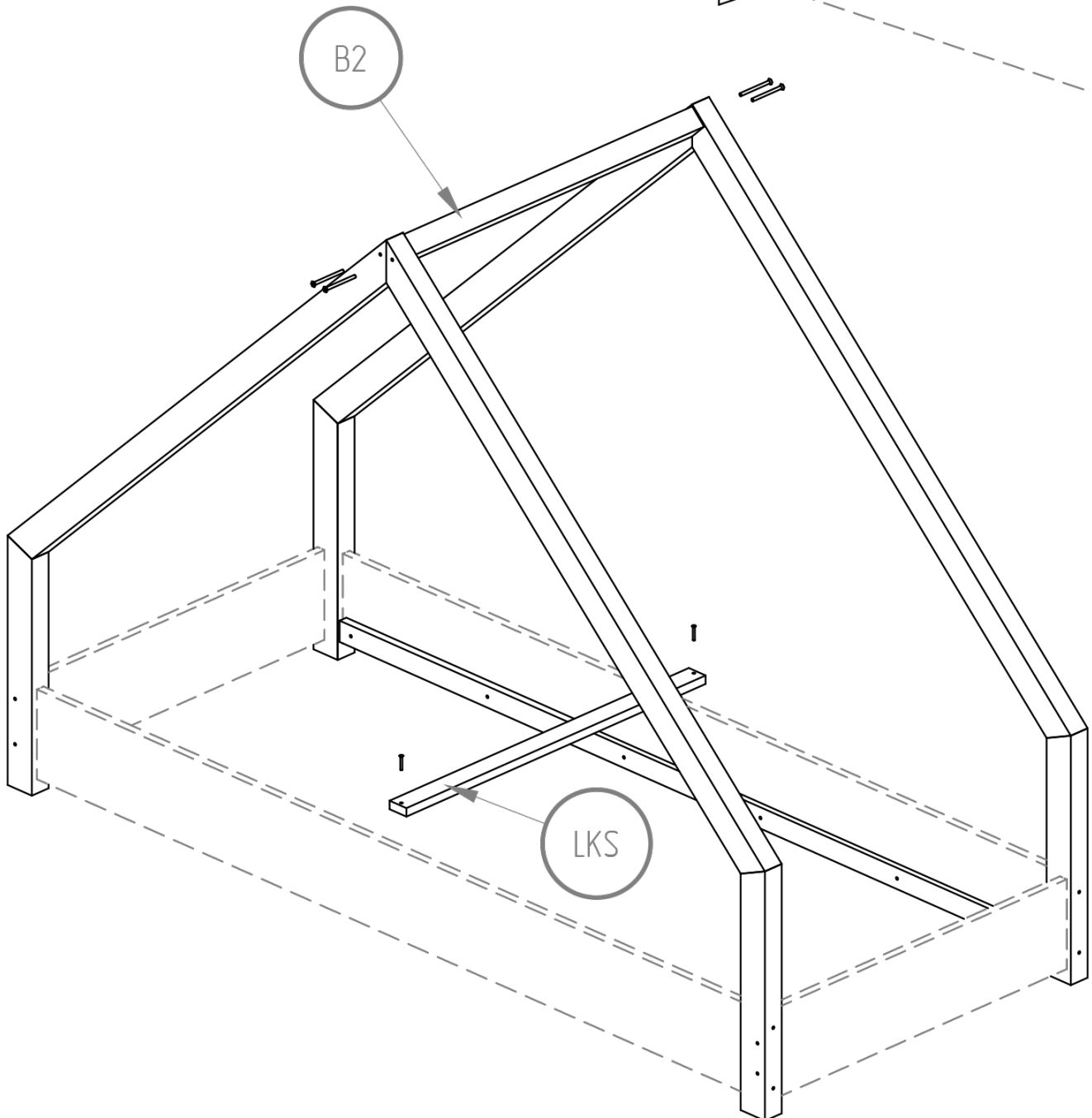
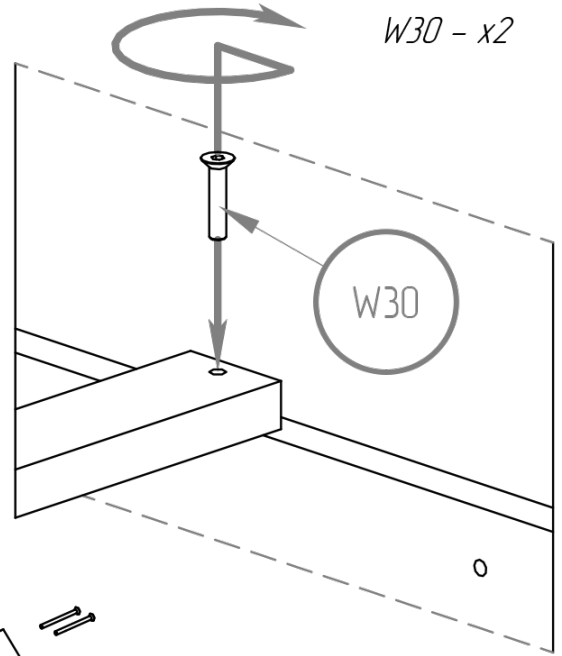
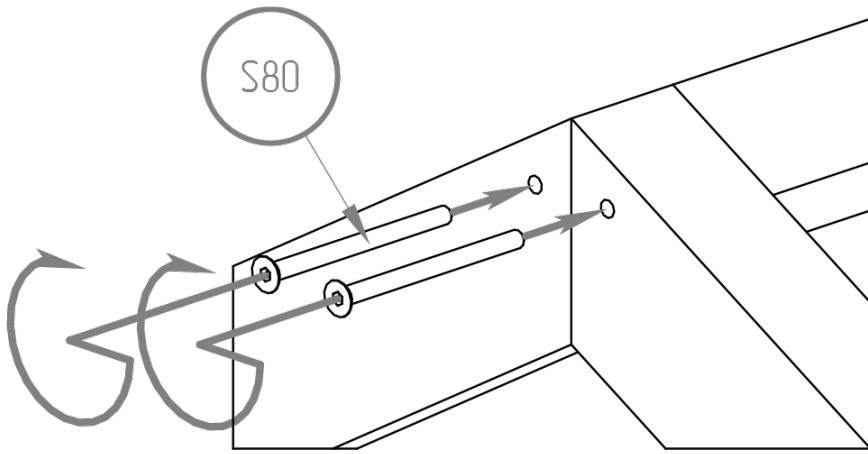
*SK - x4*

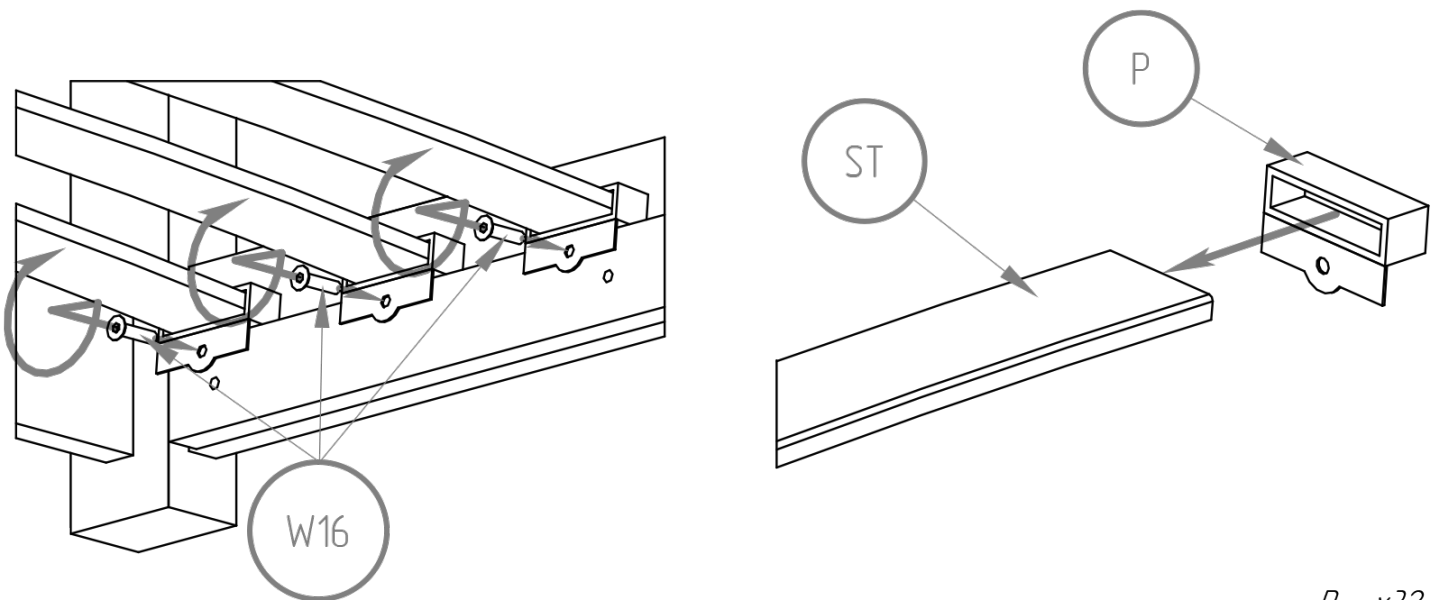
*LDS - x2*

*W30 - x12*



B2 - x1  
LKS - x1  
S80 - x4  
W30 - x2





*P - x32*  
*ST - x16*  
*W16 - x32*

